

# ALPHA

3470DVR160R05-20x45

EAN 4031582303612

Swivel castor, housing made of pressed steel, bright zinc plated, blue passivated, double ball bearing swivel head, wheel axle with nut, solid plug fitting. Wheel centre made of pressed steel, Tread: solid rubber, black, roller bearing



BETTER MOBILITY. BETTER LIFE.

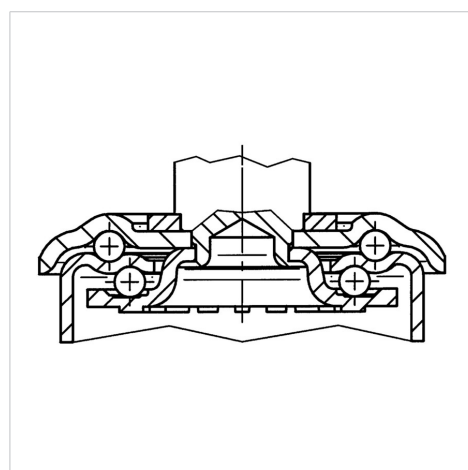


Picture may differ from original product

## Technical Data

Wheel diameter	160 mm
Wheel width	40 mm
Bolt-Ø	20 mm
Bolt length	45 mm
Offset	55 mm
Swivel Interference	270 mm
Overall height	195 mm
Temperature	- 20 / + 60 °C
Standard	EN 12532
Weight	2.293 kg
Swivel Radius	135 mm
Hardness of tread	Shore A 85
Load capacity	135 kg
Load capacity (static)	270 kg

## Structure & Mounting



## Advantages at a glance

Roll performance	● ● ● ○ ○
Movement noise	● ● ● ○ ○
Attrition	● ● ○ ○ ○
Corrosion resistance	● ● ● ○ ○