

# ALPHA

## 3470DVR200P63

EAN 4031582010275

Swivel castor, housing made of pressed steel, bright zinc plated, blue passivated, double ball bearing swivel head, wheel axle with nut, dustguard, plate fitting. Wheel centre made of pressed steel, Tread: solid rubber, black, roller bearing



BETTER MOBILITY. BETTER LIFE.

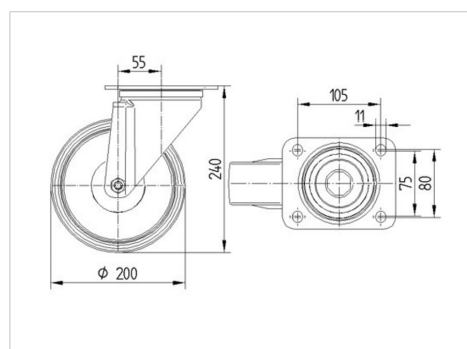


Picture may differ from original product

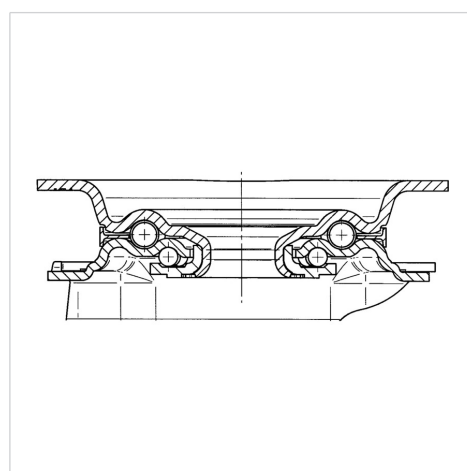
### Technical Data

Wheel diameter	200 mm
Wheel width	50 mm
Castor width	96 mm
Size of Plate	137 x 105 mm
Plate hole centres	105 x 80/75 mm
Plate hole	11 mm
Dome-Ø	96 mm
Offset	55 mm
Swivel Interference	310 mm
Overall height	240 mm
Temperature	- 20 / + 85 °C
Standard	EN 12532
Weight	2.613 kg
Swivel Radius	155 mm
Hardness of tread	Shore A 80
Load capacity	205 kg
Load capacity (static)	410 kg

### Dimensions



### Structure & Mounting



### Advantages at a glance

Roll performance	● ● ● ○ ○
Movement noise	● ● ● ○ ○
Attrition	● ● ○ ○ ○
Corrosion resistance	● ● ● ○ ○

# ALPHA

3470DVR200P63

EAN 4031582010275



BETTER MOBILITY. BETTER LIFE.

## Structure & Mounting

