

ALPHA

3470ITP100P63

EAN 4031582010824

Swivel caster, housing made of pressed steel, bright zinc plated, blue passivated, double ball bearing swivel head, wheel axle with nut, dustguard, plate fitting. Wheel center made of Aluminum, Tread: Polyurethane, casted, precision ball bearing



BETTER MOBILITY. BETTER LIFE.

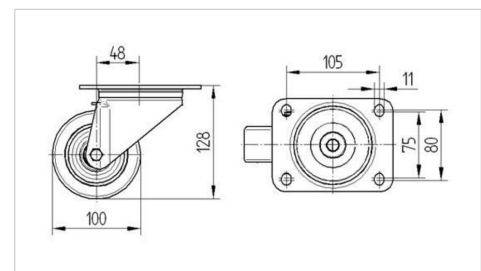


Picture may differ from original product

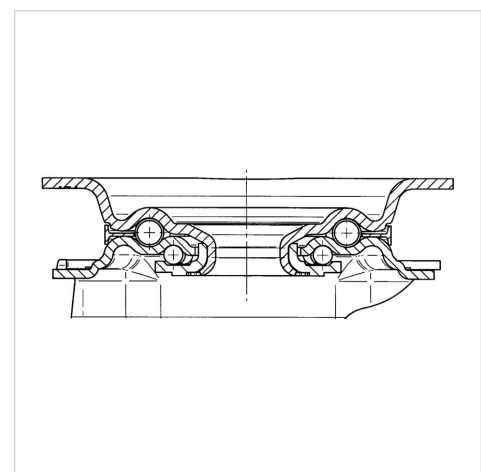
Technical Data

Wheel diameter	100 mm
Wheel width	40 mm
Caster width	95 mm
Plate size	137 x 105 mm
Plate hole centers	105 x 80/75 mm
Plate hole	11 mm
Dome-Ø	95 mm
Offset	50 mm
Swivel Interference	200 mm
Overall height	125 mm
Temperature	- 10 / + 60 °C
Standard	EN 12532
Weight	1.377 kg
Swivel Radius	100 mm
Hardness of tread	Shore D 42
Load capacity (dynamic)	300 kg
Load capacity (static)	600 kg

Dimensions



Structure & Mounting



Advantages at a glance

Roll performance	● ● ● ○ ○
Movement noise	● ● ● ○ ○
Attrition	● ● ● ● ○
Corrosion resistance	● ● ● ○ ○

ALPHA

3470ITP100P63

EAN 4031582010824



BETTER MOBILITY. BETTER LIFE.

Structure & Mounting

