

# ALPHA

3470PVO080P62

EAN 4031582304091

Swivel caster, housing made of pressed steel, bright zinc plated, blue passivated, double ball bearing swivel head, wheel axle with nut, dustguard, plate fitting. Wheel center made of Polypropylene, Tread: solid rubber, black, plain bearing



BETTER MOBILITY. BETTER LIFE.

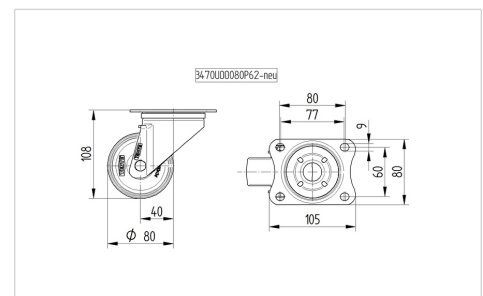


Picture may differ from original product

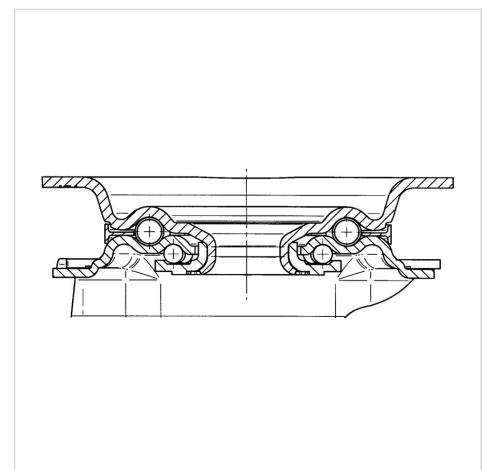
## Technical Data

Wheel diameter	80 mm
Wheel width	35 mm
Plate size	105 x 80 mm
Plate hole centers	80/77 x 60 mm
Plate hole	9 mm
Offset	40 mm
Swivel Interference	160 mm
Overall height	108 mm
Temperature	- 20 / + 60 °C
Standard	EN 12532
Weight	0.748 kg
Swivel Radius	80 mm
Hardness of tread	Shore A 85
Load capacity (dynamic)	70 kg
Load capacity (static)	140 kg

## Dimensions



## Structure & Mounting



## Advantages at a glance

Roll performance	● ● ○ ○ ○
Movement noise	● ● ● ○ ○
Attrition	● ● ○ ○ ○
Corrosion resistance	● ● ● ○ ○

# ALPHA

3470PVO080P62

EAN 4031582304091



BETTER MOBILITY. BETTER LIFE.

## Structure & Mounting

---

