

ALPHA

3470PVO100P62

EAN 4031582304114

Swivel caster, housing made of pressed steel, bright zinc plated, blue passivated, double ball bearing swivel head, wheel axle with nut, dustguard, plate fitting. Wheel center made of Polypropylene, Tread: solid rubber, black, plain bearing



BETTER MOBILITY. BETTER LIFE.



Picture may differ from original product

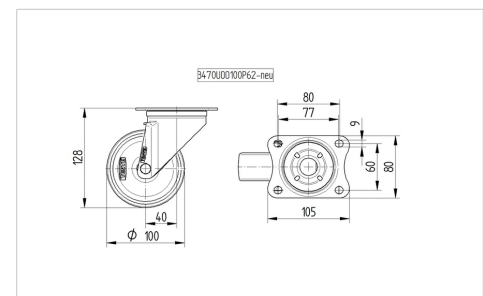
Technical Data

| | |
|-------------------------|----------------|
| Wheel diameter | 100 mm |
| Wheel width | 35 mm |
| Plate size | 105 x 80 mm |
| Plate hole centers | 80/77 x 60 mm |
| Plate hole | 9 mm |
| Offset | 40 mm |
| Swivel Interference | 180 mm |
| Overall height | 128 mm |
| Temperature | - 20 / + 60 °C |
| Standard | EN 12532 |
| Weight | 0.865 kg |
| Swivel Radius | 90 mm |
| Hardness of tread | Shore A 85 |
| Load capacity (dynamic) | 75 kg |
| Load capacity (static) | 150 kg |

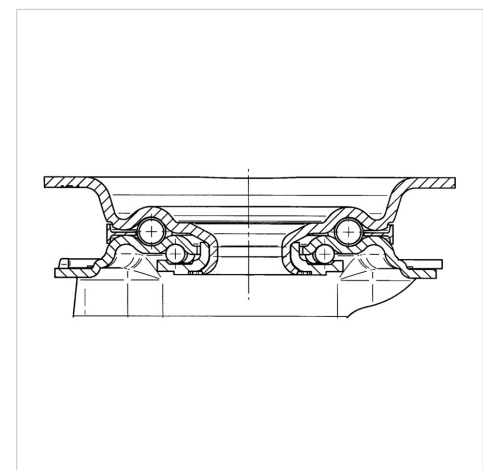
Advantages at a glance

| | |
|----------------------|-----------|
| Roll performance | ● ● ○ ○ ○ |
| Movement noise | ● ● ● ○ ○ |
| Attrition | ● ● ○ ○ ○ |
| Corrosion resistance | ● ● ● ○ ○ |

Dimensions



Structure & Mounting



ALPHA

3470PVO100P62

EAN 4031582304114



BETTER MOBILITY. BETTER LIFE.

Structure & Mounting

