

# ALPHA

3470PVO160P63

EAN 4031582304152

Swivel caster, housing made of pressed steel, bright zinc plated, blue passivated, double ball bearing swivel head, wheel axle with nut, dustguard, plate fitting. Wheel center made of Polypropylene, Tread: solid rubber, black, plain bearing



BETTER MOBILITY. BETTER LIFE.

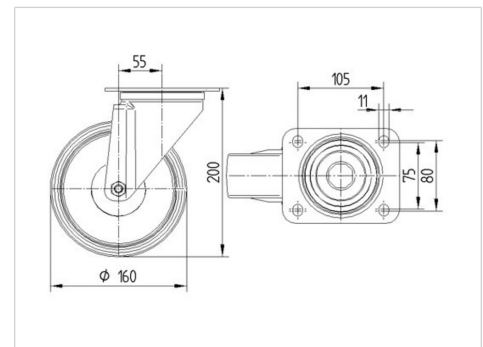


Picture may differ from original product

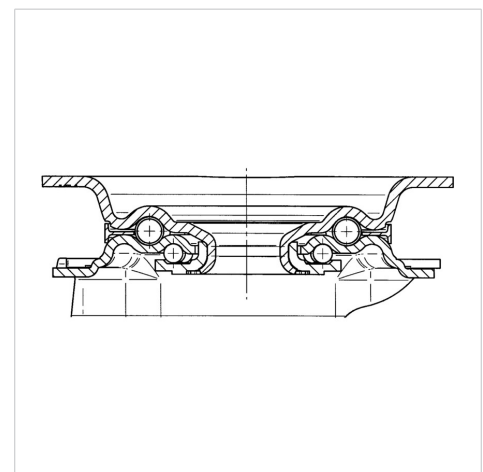
## Technical Data

Wheel diameter	160 mm
Wheel width	40 mm
Caster width	96 mm
Plate size	137 x 105 mm
Plate hole centers	105 x 80/75 mm
Plate hole	11 mm
Dome-Ø	96 mm
Offset	55 mm
Swivel Interference	270 mm
Overall height	200 mm
Temperature	- 20 / + 60 °C
Standard	EN 12532
Weight	2.064 kg
Swivel Radius	135 mm
Hardness of tread	Shore A 80
Load capacity (dynamic)	135 kg
Load capacity (static)	270 kg

## Dimensions



## Structure & Mounting



## Advantages at a glance

Roll performance	● ● ○ ○ ○
Movement noise	● ● ● ○ ○
Attrition	● ● ○ ○ ○
Corrosion resistance	● ● ● ○ ○

# ALPHA

3470PVO160P63

EAN 4031582304152



BETTER MOBILITY. BETTER LIFE.

## Structure & Mounting

