

# ALPHA

3470PVR125P62

EAN 4031582010787

Swivel caster, housing made of pressed steel, bright zinc plated, blue passivated, double ball bearing swivel head, wheel axle with nut, dustguard, plate fitting. Wheel center made of Polypropylene, Tread: solid rubber, black, roller bearing



BETTER MOBILITY. BETTER LIFE.

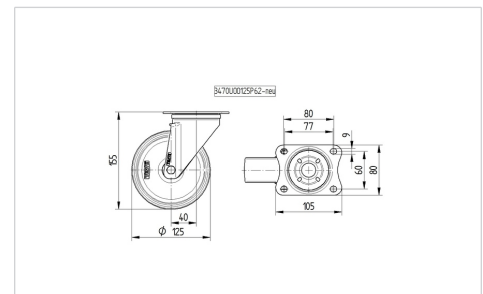


Picture may differ from original product

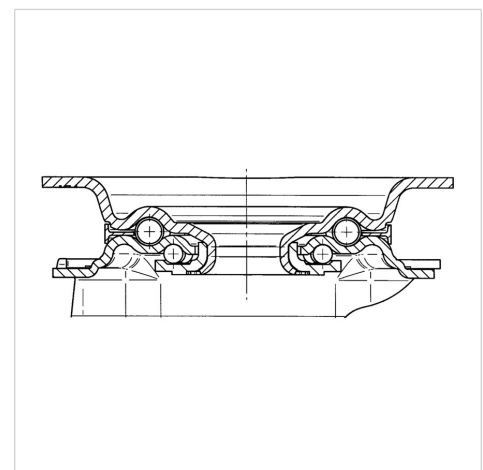
## Technical Data

|                         |                |
|-------------------------|----------------|
| Wheel diameter          | 125 mm         |
| Wheel width             | 37 mm          |
| Caster width            | 75 mm          |
| Plate size              | 105 x 80 mm    |
| Plate hole centers      | 80/77 x 60 mm  |
| Plate hole              | 9 mm           |
| Dome-Ø                  | 75 mm          |
| Offset                  | 40 mm          |
| Swivel Interference     | 205 mm         |
| Overall height          | 155 mm         |
| Temperature             | - 20 / + 60 °C |
| Standard                | EN 12532       |
| Weight                  | 1.04 kg        |
| Swivel Radius           | 102.5 mm       |
| Hardness of tread       | Shore A 80     |
| Load capacity (dynamic) | 100 kg         |
| Load capacity (static)  | 200 kg         |

## Dimensions



## Structure & Mounting



## Advantages at a glance

|                      |           |
|----------------------|-----------|
| Roll performance     | ● ● ● ○ ○ |
| Movement noise       | ● ● ● ○ ○ |
| Attrition            | ● ● ○ ○ ○ |
| Corrosion resistance | ● ● ● ○ ○ |

# ALPHA

3470PVR125P62

EAN 4031582010787



BETTER MOBILITY. BETTER LIFE.

## Structure & Mounting

---

