

ALPHA

3470PVR200P30-13

EAN 4031582304244

Swivel castor, housing made of pressed steel, bright zinc plated, blue passivated, double ball bearing swivel head, wheel axle with nut, bolt hole. Wheel centre made of Polypropylene, Tread: solid rubber, black, roller bearing



BETTER MOBILITY. BETTER LIFE.



Picture may differ from original product

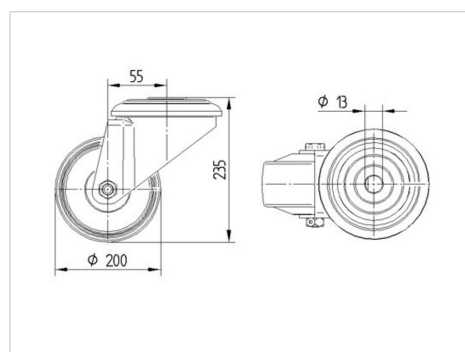
Technical Data

Wheel diameter	200 mm
Wheel width	50 mm
Centre hole	13 mm
Offset	55 mm
Swivel Interference	310 mm
Overall height	235 mm
Temperature	- 20 / + 60 °C
Standard	EN 12532
Weight	2.598 kg
Swivel Radius	155 mm
Hardness of tread	Shore A 85
Load capacity	200 kg
Load capacity (static)	400 kg

Advantages at a glance

Roll performance	● ● ● ○ ○
Movement noise	● ● ● ○ ○
Attrition	● ● ○ ○ ○
Corrosion resistance	● ● ● ○ ○

Dimensions



Structure & Mounting

