

ALPHA

3470PVR200P63

EAN 4031582010800

Swivel caster, housing made of pressed steel, bright zinc plated, blue passivated, double ball bearing swivel head, wheel axle with nut, dustguard, plate fitting. Wheel center made of Polypropylene, Tread: solid rubber, black, roller bearing



BETTER MOBILITY. BETTER LIFE.

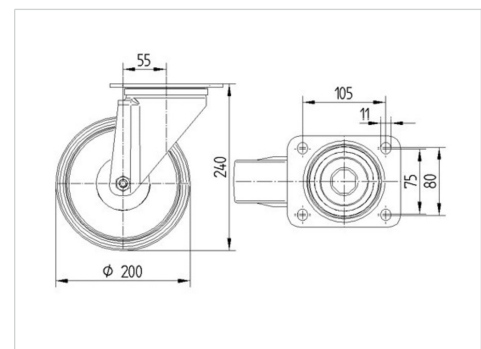


Picture may differ from original product

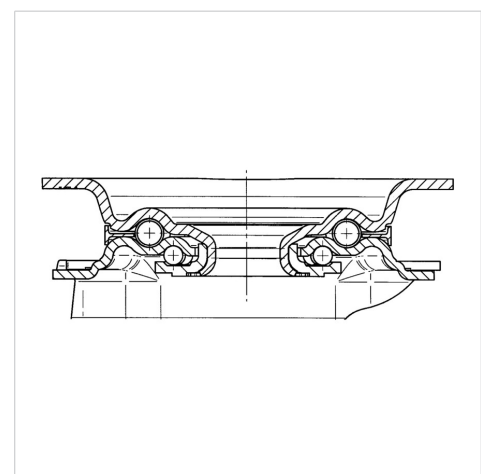
Technical Data

| | |
|-------------------------|----------------|
| Wheel diameter | 200 mm |
| Wheel width | 50 mm |
| Caster width | 96 mm |
| Plate size | 137 x 105 mm |
| Plate hole centers | 105 x 80/75 mm |
| Plate hole | 11 mm |
| Dome-Ø | 96 mm |
| Offset | 55 mm |
| Swivel Interference | 310 mm |
| Overall height | 240 mm |
| Temperature | - 20 / + 60 °C |
| Standard | EN 12532 |
| Weight | 2.809 kg |
| Swivel Radius | 155 mm |
| Hardness of tread | Shore A 80 |
| Load capacity (dynamic) | 205 kg |
| Load capacity (static) | 410 kg |

Dimensions



Structure & Mounting



Advantages at a glance

| | |
|----------------------|-----------|
| Roll performance | ● ● ● ○ ○ |
| Movement noise | ● ● ● ○ ○ |
| Attrition | ● ● ○ ○ ○ |
| Corrosion resistance | ● ● ● ○ ○ |

ALPHA

3470PVR200P63

EAN 4031582010800



BETTER MOBILITY. BETTER LIFE.

Structure & Mounting

