

ALPHA

3470UAR080P62 grey

EAN 4031582304251

Swivel caster, housing made of pressed steel, bright zinc plated, blue passivated, double ball bearing swivel head, wheel axle with nut, dustguard, plate fitting. Wheel center made of Polyamide, Tread: Polyurethane, roller bearing



BETTER MOBILITY. BETTER LIFE.

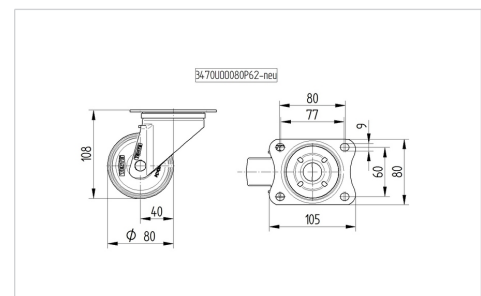


Picture may differ from original product

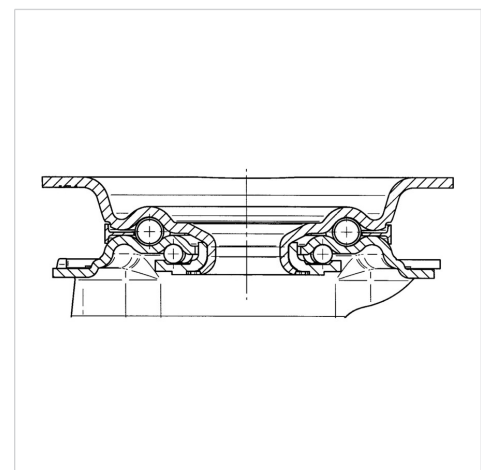
Technical Data

Wheel diameter	80 mm
Wheel width	38 mm
Caster width	75 mm
Plate size	105 x 80 mm
Plate hole centers	80/77 x 60 mm
Plate hole	9 mm
Dome-Ø	75 mm
Offset	40 mm
Swivel Interference	160 mm
Overall height	108 mm
Temperature	- 25 / + 80 °C
Standard	EN 12532
Weight	0.721 kg
Swivel Radius	80 mm
Hardness of tread	Shore D 42
Load capacity (dynamic)	150 kg
Load capacity (static)	300 kg

Dimensions



Structure & Mounting



Advantages at a glance

Roll performance	● ● ● ○ ○
Movement noise	● ● ● ○ ○
Attrition	● ● ● ● ○
Corrosion resistance	● ● ● ○ ○

ALPHA

3470UAR080P62 grey

EAN 4031582304251



BETTER MOBILITY. BETTER LIFE.

Structure & Mounting

