

# ALPHA

3470UAR125P62 red

EAN 4031582304275

Swivel caster, housing made of pressed steel, bright zinc plated, blue passivated, double ball bearing swivel head, wheel axle with nut, dustguard, plate fitting. Wheel center made of Polyamide, Tread: Polyurethane, roller bearing



BETTER MOBILITY. BETTER LIFE.

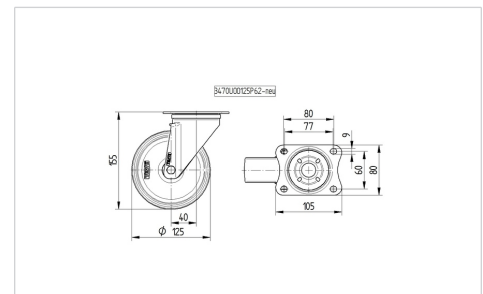


Picture may differ from original product

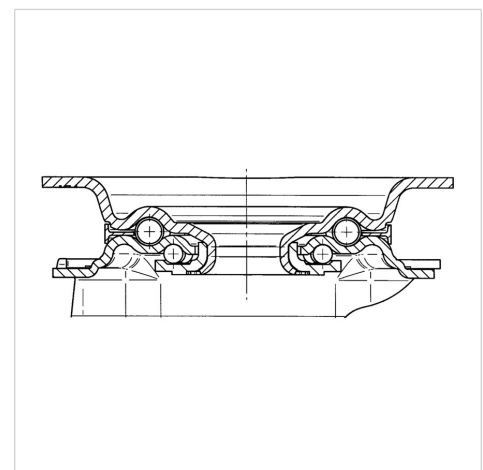
## Technical Data

|                         |                |
|-------------------------|----------------|
| Wheel diameter          | 125 mm         |
| Wheel width             | 32 mm          |
| Caster width            | 75 mm          |
| Plate size              | 105 x 80 mm    |
| Plate hole centers      | 80/77 x 60 mm  |
| Plate hole              | 9 mm           |
| Dome-Ø                  | 75 mm          |
| Offset                  | 40 mm          |
| Swivel Interference     | 205 mm         |
| Overall height          | 155 mm         |
| Temperature             | - 25 / + 80 °C |
| Standard                | EN 12532       |
| Weight                  | 0.868 kg       |
| Swivel Radius           | 102.5 mm       |
| Hardness of tread       | Shore D 42     |
| Load capacity (dynamic) | 200 kg         |
| Load capacity (static)  | 400 kg         |

## Dimensions



## Structure & Mounting



## Advantages at a glance

|                      |           |
|----------------------|-----------|
| Roll performance     | ● ● ● ○ ○ |
| Movement noise       | ● ● ● ○ ○ |
| Attrition            | ● ● ● ● ○ |
| Corrosion resistance | ● ● ● ○ ○ |

# ALPHA

3470UAR125P62 red

EAN 4031582304275



BETTER MOBILITY. BETTER LIFE.

## Structure & Mounting

---

