

# ALPHA

3470UOR100P62

EAN 4031582010565

Swivel caster, housing made of pressed steel, bright zinc plated, blue passivated, double ball bearing swivel head, wheel axle with nut, dustguard, plate fitting. Wheel center made of Polyamide, roller bearing



BETTER MOBILITY. BETTER LIFE.

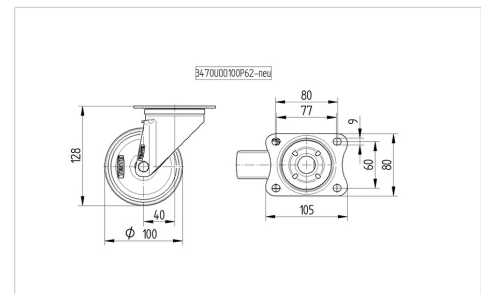


Picture may differ from original product

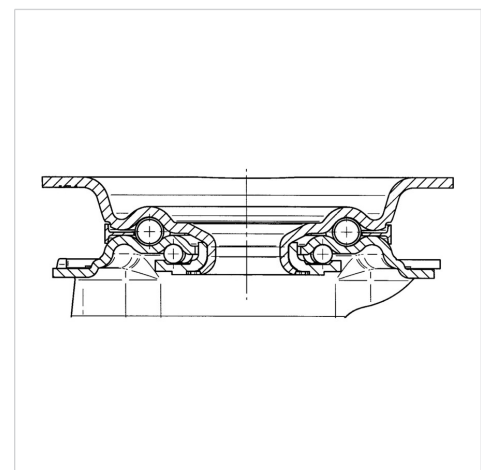
## Technical Data

|                         |                |
|-------------------------|----------------|
| Wheel diameter          | 100 mm         |
| Wheel width             | 36 mm          |
| Caster width            | 75 mm          |
| Plate size              | 105 x 80 mm    |
| Plate hole centers      | 80/77 x 60 mm  |
| Plate hole              | 9 mm           |
| Dome-Ø                  | 75 mm          |
| Offset                  | 40 mm          |
| Swivel Interference     | 180 mm         |
| Overall height          | 128 mm         |
| Temperature             | - 25 / + 80 °C |
| Standard                | EN 12532       |
| Weight                  | 0.773 kg       |
| Swivel Radius           | 90 mm          |
| Hardness of tread       | Shore D 75     |
| Load capacity (dynamic) | 200 kg         |
| Load capacity (static)  | 400 kg         |

## Dimensions



## Structure & Mounting



## Advantages at a glance

|                      |           |
|----------------------|-----------|
| Roll performance     | ● ● ● ○ ○ |
| Movement noise       | ● ● ● ○ ○ |
| Attrition            | ● ● ● ● ● |
| Corrosion resistance | ● ● ● ○ ○ |

# ALPHA

3470UOR100P62

EAN 4031582010565



BETTER MOBILITY. BETTER LIFE.

## Structure & Mounting

---

