

ALPHA

3470UOR125P62

EAN 4031582010572

Swivel castor, housing made of pressed steel, bright zinc plated, blue passivated, double ball bearing swivel head, wheel axle with nut, dustguard, plate fitting. Wheel centre made of Polyamide, roller bearing



BETTER MOBILITY. BETTER LIFE.

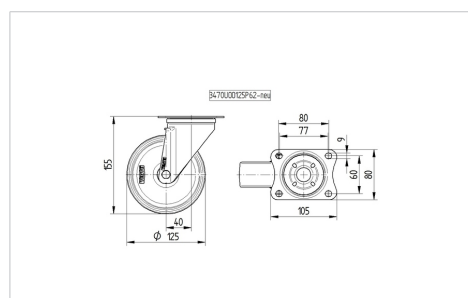


Picture may differ from original product

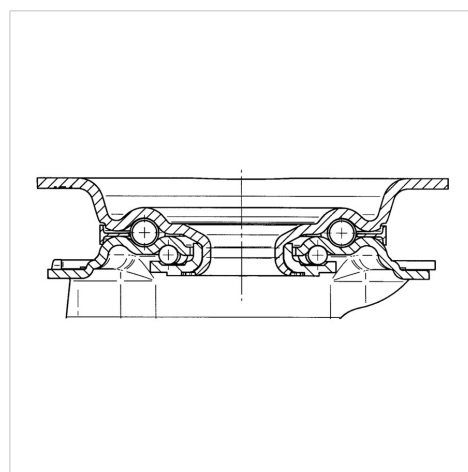
Technical Data

| | |
|------------------------|----------------|
| Wheel diameter | 125 mm |
| Wheel width | 40 mm |
| Castor width | 75 mm |
| Size of Plate | 105 x 80 mm |
| Plate hole centres | 80/77 x 60 mm |
| Plate hole | 9 mm |
| Dome-Ø | 75 mm |
| Offset | 40 mm |
| Swivel Interference | 205 mm |
| Overall height | 155 mm |
| Temperature | - 25 / + 80 °C |
| Standard | EN 12532 |
| Weight | 0.835 kg |
| Swivel Radius | 102.5 mm |
| Hardness of tread | Shore D 75 |
| Load capacity | 250 kg |
| Load capacity (static) | 500 kg |

Dimensions



Structure & Mounting



Advantages at a glance

| | |
|----------------------|-----------|
| Roll performance | ● ● ● ○ ○ |
| Movement noise | ● ● ○ ○ ○ |
| Attrition | ● ● ● ● ○ |
| Corrosion resistance | ● ● ● ○ ○ |

ALPHA

3470UOR125P62

EAN 4031582010572



BETTER MOBILITY. BETTER LIFE.

Structure & Mounting

