

ALPHA

3470UOR125P62

EAN 4031582010572

Swivel caster, housing made of pressed steel, bright zinc plated, blue passivated, double ball bearing swivel head, wheel axle with nut, dustguard, plate fitting. Wheel center made of Polyamide, roller bearing



BETTER MOBILITY. BETTER LIFE.

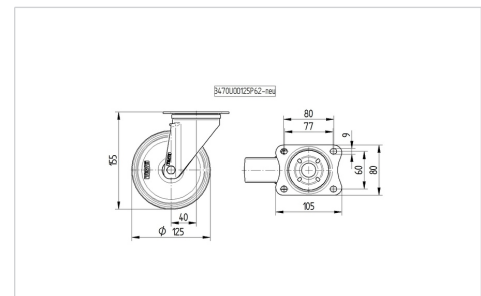


Picture may differ from original product

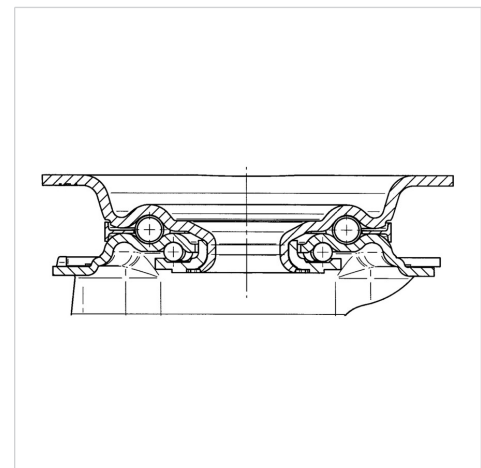
Technical Data

Wheel diameter	125 mm
Wheel width	40 mm
Caster width	75 mm
Plate size	105 x 80 mm
Plate hole centers	80/77 x 60 mm
Plate hole	9 mm
Dome-Ø	75 mm
Offset	40 mm
Swivel Interference	205 mm
Overall height	155 mm
Temperature	- 25 / + 80 °C
Standard	EN 12532
Weight	0.835 kg
Swivel Radius	102.5 mm
Hardness of tread	Shore D 75
Load capacity (dynamic)	250 kg
Load capacity (static)	500 kg

Dimensions



Structure & Mounting



Advantages at a glance

Roll performance	● ● ● ○ ○
Movement noise	● ● ○ ○ ○
Attrition	● ● ● ● ○
Corrosion resistance	● ● ● ○ ○

ALPHA

3470UOR125P62

EAN 4031582010572



BETTER MOBILITY. BETTER LIFE.

Structure & Mounting

