

# ALPHA

3470UOR200P63

EAN 4031582304701

Swivel caster, housing made of pressed steel, bright zinc plated, blue passivated, double ball bearing swivel head, wheel axle with nut, dustguard, plate fitting. Wheel center made of Polyamide, roller bearing



BETTER MOBILITY. BETTER LIFE.

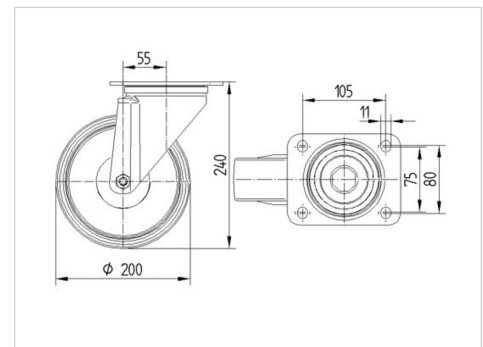


Picture may differ from original product

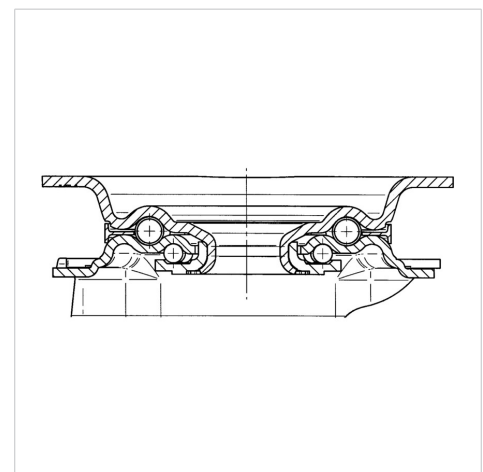
## Technical Data

Wheel diameter	200 mm
Wheel width	50 mm
Caster width	96 mm
Plate size	137 x 105 mm
Plate hole centers	105 x 80/75 mm
Plate hole	11 mm
Dome-Ø	96 mm
Offset	55 mm
Swivel Interference	310 mm
Overall height	240 mm
Temperature	- 25 / + 80 °C
Standard	EN 12532
Weight	2.075 kg
Swivel Radius	155 mm
Hardness of tread	Shore D 75
Load capacity (dynamic)	350 kg
Load capacity (static)	700 kg

## Dimensions



## Structure & Mounting



## Advantages at a glance

Roll performance	● ● ● ○ ○
Movement noise	● ● ● ○ ○
Attrition	● ● ● ● ●
Corrosion resistance	● ● ● ○ ○

# ALPHA

3470UOR200P63

EAN 4031582304701



BETTER MOBILITY. BETTER LIFE.

## Structure & Mounting

