

ALPHA

3472PVR160P63

EAN 4031582304916

Swivel castor with total lock, head end of castor, housing made of pressed steel, bright zinc plated, blue passivated, double ball bearing swivel head, wheel axle with nut, dustguard, plate fitting. Wheel centre made of Polypropylene, Tread: solid rubber, black, roller bearing



BETTER MOBILITY. BETTER LIFE.



Picture may differ from original product

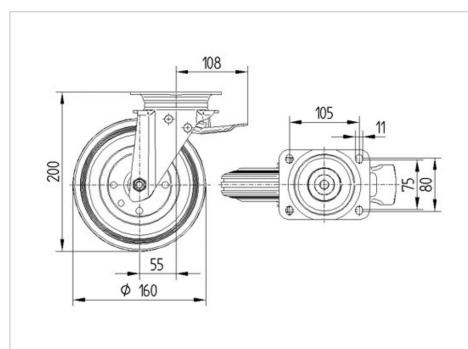
Technical Data

Wheel diameter	160 mm
Wheel width	40 mm
Size of Plate	137 x 105 mm
Plate hole centres	105 x 80/75 mm
Plate hole	11 mm
Offset	55 mm
Swivel Interference	270 mm
Overall height	200 mm
Temperature	- 20 / + 60 °C
Standard	EN 12532
Weight	2.339 kg
Swivel Radius	135 mm
Hardness of tread	Shore A 85
Load capacity	135 kg
Load capacity (static)	270 kg

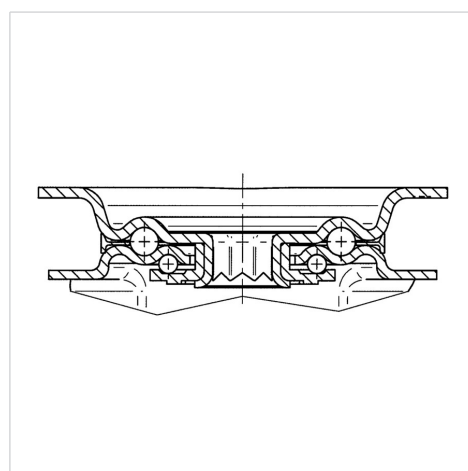
Advantages at a glance

Roll performance	● ● ● ○ ○
Movement noise	● ● ● ○ ○
Attrition	● ● ○ ○ ○
Corrosion resistance	● ● ● ○ ○

Dimensions



Structure & Mounting



ALPHA

3472PVR160P63

EAN 4031582304916



BETTER MOBILITY. BETTER LIFE.

Structure & Mounting

