

ALPHA

3472PVR200P63

EAN 4031582304923

Swivel castor with total lock, head end of castor, housing made of pressed steel, bright zinc plated, blue passivated, double ball bearing swivel head, wheel axle with nut, dustguard, plate fitting. Wheel centre made of Polypropylene, Tread: solid rubber, black, roller bearing



BETTER MOBILITY. BETTER LIFE.



Picture may differ from original product

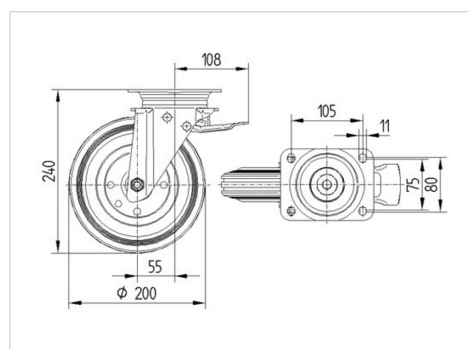
Technical Data

| | |
|------------------------|----------------|
| Wheel diameter | 200 mm |
| Wheel width | 50 mm |
| Castor width | 96 mm |
| Size of Plate | 137 x 105 mm |
| Plate hole centres | 105 x 80/75 mm |
| Plate hole | 11 mm |
| Dome-Ø | 96 mm |
| Offset | 55 mm |
| Swivel Interference | 310 mm |
| Overall height | 240 mm |
| Temperature | - 20 / + 60 °C |
| Standard | EN 12532 |
| Weight | 3.046 kg |
| Swivel Radius | 155 mm |
| Hardness of tread | Shore A 80 |
| Load capacity | 205 kg |
| Load capacity (static) | 410 kg |

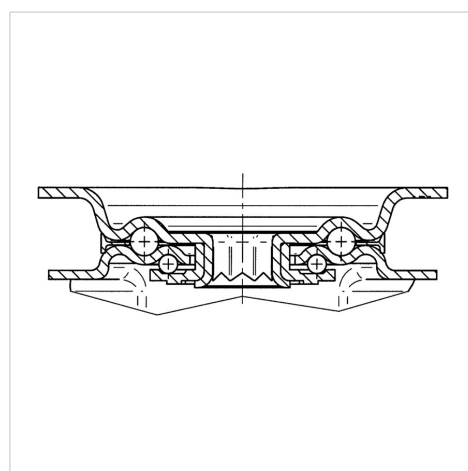
Advantages at a glance

| | |
|----------------------|-----------|
| Roll performance | ● ● ● ○ ○ |
| Movement noise | ● ● ● ○ ○ |
| Attrition | ● ● ○ ○ ○ |
| Corrosion resistance | ● ● ● ○ ○ |

Dimensions



Structure & Mounting



ALPHA

3472PVR200P63

EAN 4031582304923



BETTER MOBILITY. BETTER LIFE.

Structure & Mounting

