

# ALPHA

3476PXU200P69 LO-11

EAN 4031582304992

The locking mechanism is activated through the cam via a lever. The lever reverses automatically to the base position. Cam bore parallel to the long side of plate, SW 11 mm Swivel caster with central lock, housing made of pressed steel, bright zinc plated, blue passivated, double ball bearing swivel head, wheel axle with nut, dustguard, plate fitting with integrated central lock. Wheel center made of Polypropylene, Tread: solid rubber, black, with synthetic plain bearing

Hint: The brake pedal is attached to the mounting plate. The swivel mechanism is independent of the mounting plate. Therefore the brake pedal is always in the same position.



BETTER MOBILITY. BETTER LIFE.



Picture may differ from original product

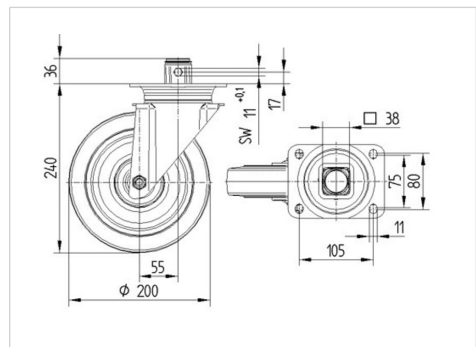
## Technical Data

Wheel diameter	200 mm
Wheel width	50 mm
Plate size	137 x 105 mm
Plate hole centers	105 x 80/75 mm
Plate hole	11 mm
Offset	55 mm
Swivel Interference	310 mm
Overall height	240 mm
Temperature	- 20 / + 60 °C
Standard	EN 12532
Weight	2.709 kg
Swivel Radius	155 mm
Hardness of tread	Shore A 85
Load capacity (dynamic)	205 kg
Load capacity (static)	410 kg

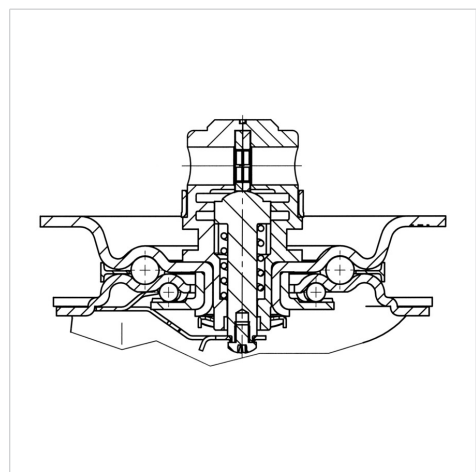
## Advantages at a glance

Roll performance	● ● ● ○ ○
Movement noise	● ● ● ○ ○
Attrition	● ● ○ ○ ○
Corrosion resistance	● ● ● ○ ○

## Dimensions



## Structure & Mounting



# ALPHA

3476PXU200P69 L0-11

EAN 4031582304992



BETTER MOBILITY. BETTER LIFE.

## Structure & Mounting

