

# ALPHA

3477DVR125P62

EAN 4031582050233

Swivel caster with total lock, trailing end of caster, housing made of pressed steel, bright zinc plated, blue passivated, double ball bearing swivel head, wheel axle with nut, dustguard, plate fitting. Wheel center made of pressed steel, Tread: solid rubber, black, roller bearing



BETTER MOBILITY. BETTER LIFE.

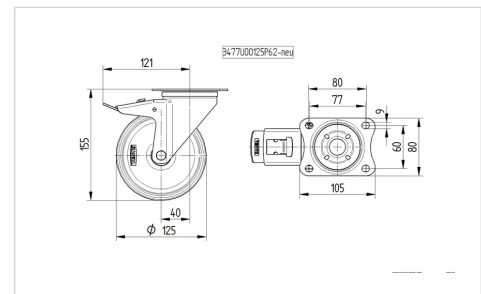


Picture may differ from original product

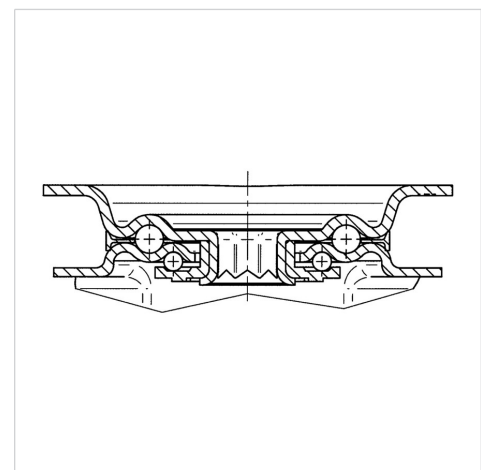
## Technical Data

|                         |                |
|-------------------------|----------------|
| Wheel diameter          | 125 mm         |
| Wheel width             | 37 mm          |
| Caster width            | 75 mm          |
| Plate size              | 105 x 80 mm    |
| Plate hole centers      | 80/77 x 60 mm  |
| Plate hole              | 9 mm           |
| Dome-Ø                  | 75 mm          |
| Offset                  | 40 mm          |
| Swivel Interference     | 246 mm         |
| Overall height          | 155 mm         |
| Temperature             | - 20 / + 85 °C |
| Standard                | EN 12532       |
| Weight                  | 1.32 kg        |
| Swivel Radius           | 123 mm         |
| Hardness of tread       | Shore A 80     |
| Load capacity (dynamic) | 100 kg         |
| Load capacity (static)  | 200 kg         |

## Dimensions



## Structure & Mounting



## Advantages at a glance

|                      |           |
|----------------------|-----------|
| Roll performance     | ● ● ● ○ ○ |
| Movement noise       | ● ● ● ○ ○ |
| Attrition            | ● ● ○ ○ ○ |
| Corrosion resistance | ● ● ● ○ ○ |

# ALPHA

3477DVR125P62

EAN 4031582050233



BETTER MOBILITY. BETTER LIFE.

## Structure & Mounting

---

