

ALPHA

3477ITP125P63

EAN 4031582305203

Swivel caster with total lock, trailing end of caster, housing made of pressed steel, bright zinc plated, blue passivated, double ball bearing swivel head, wheel axle with nut, dustguard, plate fitting. Wheel center made of Aluminum, Tread: Polyurethane, casted, precision ball bearing



BETTER MOBILITY. BETTER LIFE.

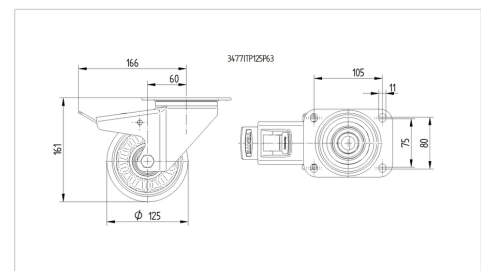


Picture may differ from original product

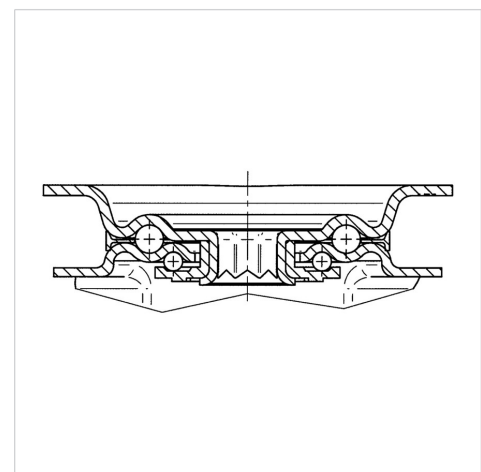
Technical Data

Wheel diameter	125 mm
Wheel width	50 mm
Caster width	98 mm
Plate size	137 x 105 mm
Plate hole centers	105 x 80/75 mm
Plate hole	11 mm
Dome-Ø	98 mm
Offset	60 mm
Swivel Interference	334 mm
Overall height	161 mm
Temperature	- 10 / + 60 °C
Standard	EN 12532
Weight	2.457 kg
Swivel Radius	167 mm
Hardness of tread	Shore D 42
Load capacity (dynamic)	300 kg
Load capacity (static)	600 kg

Dimensions



Structure & Mounting



Advantages at a glance

Roll performance	● ● ● ○ ○
Movement noise	● ● ● ○ ○
Attrition	● ● ● ● ○
Corrosion resistance	● ● ● ○ ○

ALPHA

3477ITP125P63

EAN 4031582305203



BETTER MOBILITY. BETTER LIFE.

Structure & Mounting

