

ALPHA

3477PVO080P30-13

EAN 4031582305579

Swivel caster with total lock, trailing end of caster, housing made of pressed steel, bright zinc plated, blue passivated, double ball bearing swivel head, wheel axle with nut, bolt hole. Wheel center made of Polypropylene, Tread: solid rubber, black, plain bearing



BETTER MOBILITY. BETTER LIFE.

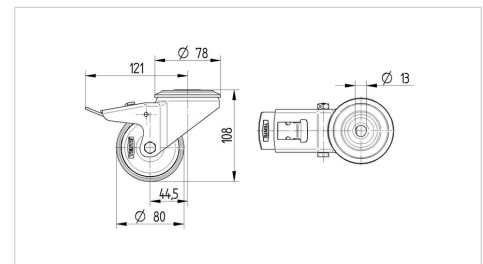


Picture may differ from original product

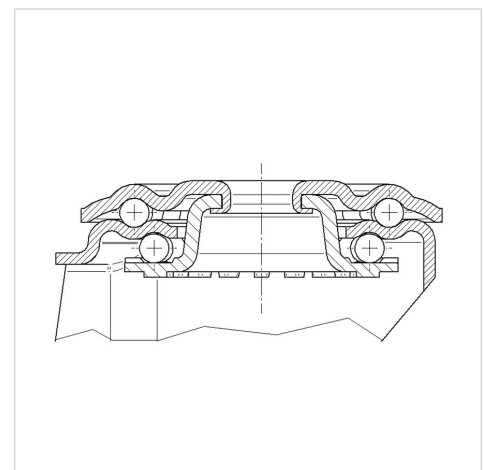
Technical Data

Wheel diameter	80 mm
Wheel width	35 mm
Caster width	75 mm
Center hole	13 mm
Dome-Ø	75 mm
Offset	44.5 mm
Swivel Interference	242 mm
Overall height	108 mm
Temperature	- 20 / + 60 °C
Standard	EN 12532
Weight	0.833 kg
Swivel Radius	121 mm
Hardness of tread	Shore A 80
Load capacity (dynamic)	80 kg
Load capacity (static)	160 kg

Dimensions



Structure & Mounting



Advantages at a glance

Roll performance	● ● ● ● ●
Movement noise	● ● ● ● ●
Attrition	● ● ● ● ●
Corrosion resistance	● ● ● ● ●