

ALPHA

3477PVO080P62

EAN 4031582305586

Swivel castor with total lock, tail end of castor, housing made of pressed steel, bright zinc plated, blue passivated, double ball bearing swivel head, wheel axle with nut, dustguard, plate fitting. Wheel centre made of Polypropylene, Tread: solid rubber, black, plain bearing



BETTER MOBILITY. BETTER LIFE.

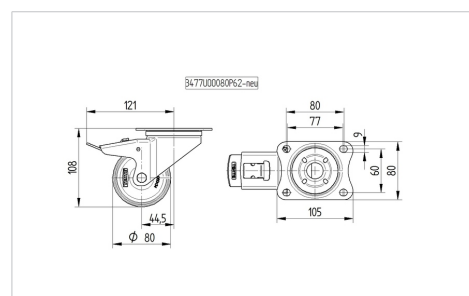


Picture may differ from original product

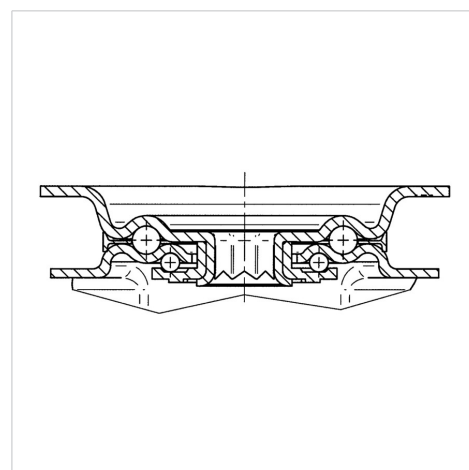
Technical Data

| | |
|------------------------|----------------|
| Wheel diameter | 80 mm |
| Wheel width | 35 mm |
| Castor width | 75 mm |
| Size of Plate | 105 x 80 mm |
| Plate hole centres | 80/77 x 60 mm |
| Plate hole | 9 mm |
| Dome-Ø | 75 mm |
| Offset | 44.5 mm |
| Swivel Interference | 242 mm |
| Overall height | 108 mm |
| Temperature | - 20 / + 60 °C |
| Standard | EN 12532 |
| Weight | 0.919 kg |
| Swivel Radius | 121 mm |
| Hardness of tread | Shore A 80 |
| Load capacity | 70 kg |
| Load capacity (static) | 140 kg |

Dimensions



Structure & Mounting



Advantages at a glance

| | |
|----------------------|-----------|
| Roll performance | ● ● ○ ○ ○ |
| Movement noise | ● ● ● ○ ○ |
| Attrition | ● ● ○ ○ ○ |
| Corrosion resistance | ● ● ● ○ ○ |

ALPHA

3477PVO080P62

EAN 4031582305586



BETTER MOBILITY. BETTER LIFE.

Structure & Mounting

