

ALPHA

3477PVR080P30-13

EAN 4031582305678

Swivel castor with total lock, tail end of castor, housing made of pressed steel, bright zinc plated, blue passivated, double ball bearing swivel head, wheel axle with nut, bolt hole. Wheel centre made of Polypropylene, Tread: solid rubber, black, roller bearing



BETTER MOBILITY. BETTER LIFE.

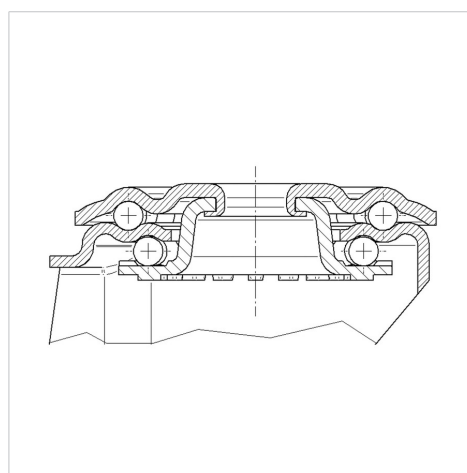


Picture may differ from original product

Technical Data

Wheel diameter	80 mm
Wheel width	35 mm
Centre hole	13 mm
Offset	44.5 mm
Swivel Interference	242 mm
Overall height	108 mm
Temperature	- 20 / + 60 °C
Standard	EN 12532
Weight	0.918 kg
Swivel Radius	121 mm
Hardness of tread	Shore A 85
Load capacity	150 kg
Load capacity (static)	300 kg

Structure & Mounting



Advantages at a glance

Roll performance	● ● ● ○ ○
Movement noise	● ● ● ○ ○
Attrition	● ● ○ ○ ○
Corrosion resistance	● ● ● ○ ○

ALPHA

3477PVR080P30-13

EAN 4031582305678



BETTER MOBILITY. BETTER LIFE.

Structure & Mounting

