

# ALPHA

3477UAR080P62 grey

EAN 4031582305746

Swivel castor with total lock, tail end of castor, housing made of pressed steel, bright zinc plated, blue passivated, double ball bearing swivel head, wheel axle with nut, dustguard, plate fitting. Wheel centre made of Polyamide, Tread: Polyurethane, roller bearing



BETTER MOBILITY. BETTER LIFE.

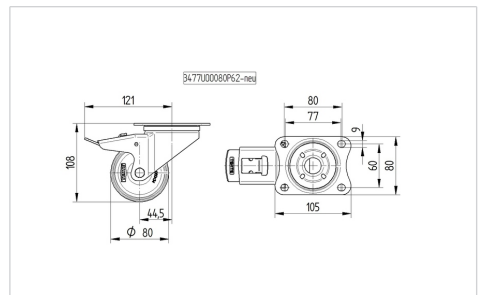


Picture may differ from original product

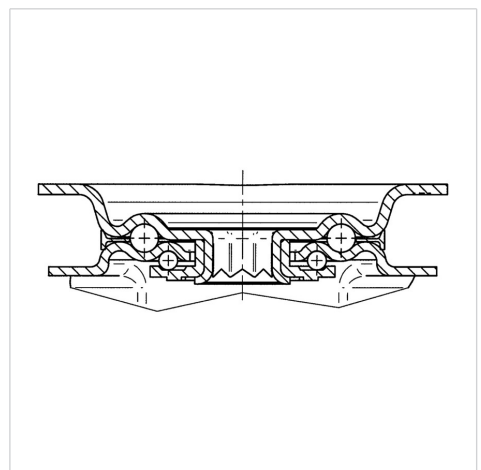
## Technical Data

Wheel diameter	80 mm
Wheel width	38 mm
Castor width	75 mm
Size of Plate	105 x 80 mm
Plate hole centres	80/77 x 60 mm
Plate hole	9 mm
Dome-Ø	75 mm
Offset	44.5 mm
Swivel Interference	242 mm
Overall height	108 mm
Temperature	- 25 / + 80 °C
Standard	EN 12532
Weight	0.807 kg
Swivel Radius	121 mm
Hardness of tread	Shore D 42
Load capacity	150 kg
Load capacity (static)	300 kg

## Dimensions



## Structure & Mounting



## Advantages at a glance

Roll performance	● ● ● ○ ○
Movement noise	● ● ● ○ ○
Attrition	● ● ● ● ○
Corrosion resistance	● ● ● ○ ○

# ALPHA

3477UAR080P62 grey

EAN 4031582305746



BETTER MOBILITY. BETTER LIFE.

## Structure & Mounting

---

