

# ALPHA

3477UAR125P62 red

EAN 4031582305760

Swivel caster with total lock, trailing end of caster, housing made of pressed steel, bright zinc plated, blue passivated, double ball bearing swivel head, wheel axle with nut, dustguard, plate fitting. Wheel center made of Polyamide, Tread: Polyurethane, roller bearing



BETTER MOBILITY. BETTER LIFE.

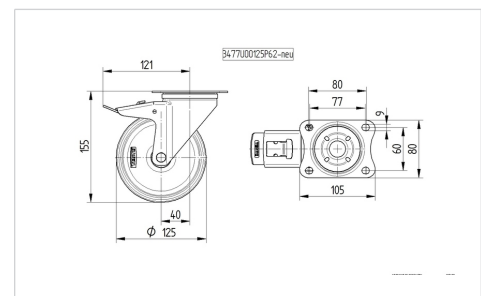


Picture may differ from original product

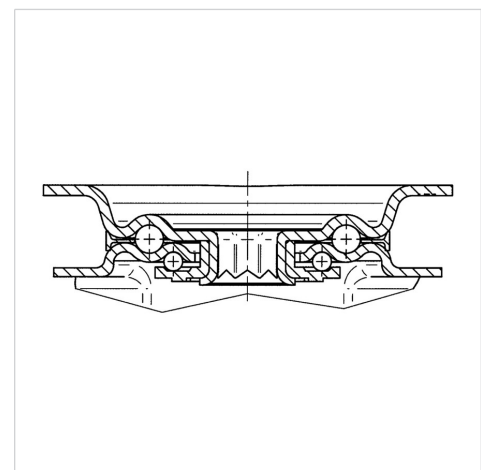
## Technical Data

Wheel diameter	125 mm
Wheel width	32 mm
Caster width	75 mm
Plate size	105 x 80 mm
Plate hole centers	80/77 x 60 mm
Plate hole	9 mm
Dome-Ø	75 mm
Offset	40 mm
Swivel Interference	246 mm
Overall height	155 mm
Temperature	- 25 / + 80 °C
Standard	EN 12532
Weight	1.088 kg
Swivel Radius	123 mm
Hardness of tread	Shore D 42
Load capacity (dynamic)	200 kg
Load capacity (static)	400 kg

## Dimensions



## Structure & Mounting



## Advantages at a glance

Roll performance	● ● ● ○ ○
Movement noise	● ● ● ○ ○
Attrition	● ● ● ● ○
Corrosion resistance	● ● ● ○ ○

# ALPHA

3477UAR125P62 red

EAN 4031582305760



BETTER MOBILITY. BETTER LIFE.

## Structure & Mounting

---

