

# ALPHA

3477UAR200P63 red

EAN 4031582305791

Swivel castor with total lock, tail end of castor, housing made of pressed steel, bright zinc plated, blue passivated, double ball bearing swivel head, wheel axle with nut, dustguard, plate fitting. Wheel centre made of Polyamide, Tread: Polyurethane, roller bearing



BETTER MOBILITY. BETTER LIFE.



Picture may differ from original product

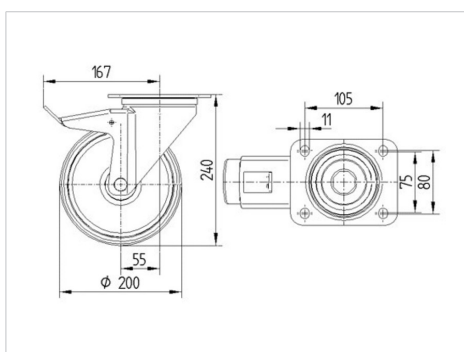
## Technical Data

Wheel diameter	200 mm
Wheel width	46 mm
Castor width	96 mm
Size of Plate	137 x 105 mm
Plate hole centres	105 x 80/75 mm
Plate hole	11 mm
Dome-Ø	96 mm
Offset	55 mm
Swivel Interference	334 mm
Overall height	240 mm
Temperature	- 25 / + 80 °C
Standard	EN 12532
Weight	2.683 kg
Swivel Radius	167 mm
Hardness of tread	Shore D 42
Load capacity	350 kg
Load capacity (static)	700 kg

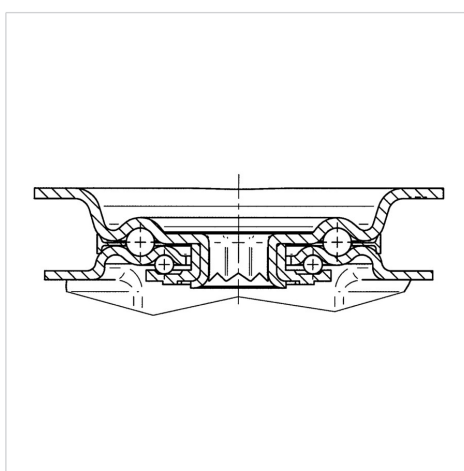
## Advantages at a glance

Roll performance	● ● ● ○ ○
Movement noise	● ● ● ○ ○
Attrition	● ● ● ● ○
Corrosion resistance	● ● ● ○ ○

## Dimensions



## Structure & Mounting



# ALPHA

3477UAR200P63 red

EAN 4031582305791



BETTER MOBILITY. BETTER LIFE.

## Structure & Mounting

