

# ALPHA

3477UOR125P62

EAN 4031582050530

Swivel castor with total lock, tail end of castor, housing made of pressed steel, bright zinc plated, blue passivated, double ball bearing swivel head, wheel axle with nut, dustguard, plate fitting. Wheel centre made of Polyamide, roller bearing



BETTER MOBILITY. BETTER LIFE.



Picture may differ from original product

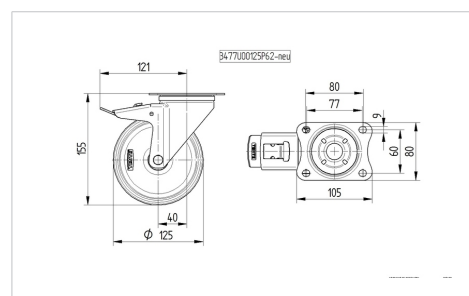
## Technical Data

Wheel diameter	125 mm
Wheel width	40 mm
Castor width	75 mm
Size of Plate	105 x 80 mm
Plate hole centres	80/77 x 60 mm
Plate hole	9 mm
Dome-Ø	75 mm
Offset	40 mm
Swivel Interference	246 mm
Overall height	155 mm
Temperature	- 25 / + 80 °C
Standard	EN 12532
Weight	1.074 kg
Swivel Radius	123 mm
Hardness of tread	Shore D 75
Load capacity	250 kg
Load capacity (static)	500 kg

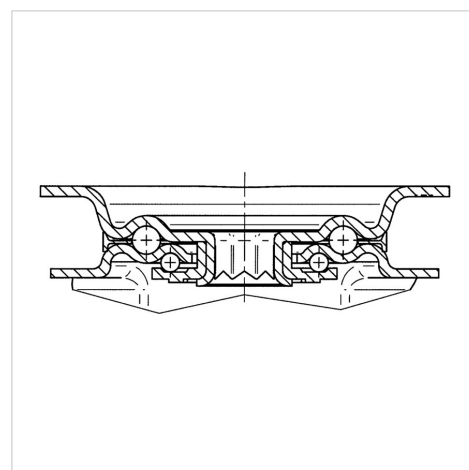
## Advantages at a glance

Roll performance	● ● ● ○ ○
Movement noise	● ● ● ○ ○
Attrition	● ● ● ● ●
Corrosion resistance	● ● ● ○ ○

## Dimensions



## Structure & Mounting



# ALPHA

3477UOR125P62

EAN 4031582050530



BETTER MOBILITY. BETTER LIFE.

## Structure & Mounting

---

