

ALPHA

3478DIR100P62

EAN 4031582306262

Fixed caster, Fork made of pressed steel, bright zinc plated, blue passivated, wheel axle with nut, plate fitting.
Wheel center made of pressed steel, Tread: solid rubber, grey non-marking, roller bearing



BETTER MOBILITY. BETTER LIFE.

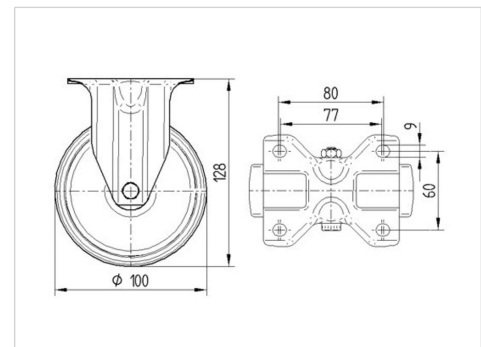


Picture may differ from original product

Technical Data

Wheel diameter	100 mm
Wheel width	30 mm
Plate size	103 x 85 mm
Plate hole centers	80/77 x 60 mm
Plate hole	9 mm
Overall height	128 mm
Temperature	- 20 / + 60 °C
Standard	EN 12532
Weight	0.602 kg
Hardness of tread	Shore A 80
Load capacity (dynamic)	70 kg
Load capacity (static)	140 kg

Dimensions



Advantages at a glance

Roll performance	● ● ● ○ ○
Movement noise	● ● ● ○ ○
Attrition	● ● ● ○ ○
Corrosion resistance	● ● ● ○ ○

ALPHA

3478DIR100P62

EAN 4031582306262



BETTER MOBILITY. BETTER LIFE.

Structure & Mounting

