

ALPHA

3478DIR125P62

EAN 4031582306279

Fixed castor, Fork made of pressed steel, bright zinc plated, blue passivated, wheel axle with nut, plate fitting.
Wheel centre made of pressed steel, Tread: solid rubber, grey non-marking, roller bearing



BETTER MOBILITY. BETTER LIFE.

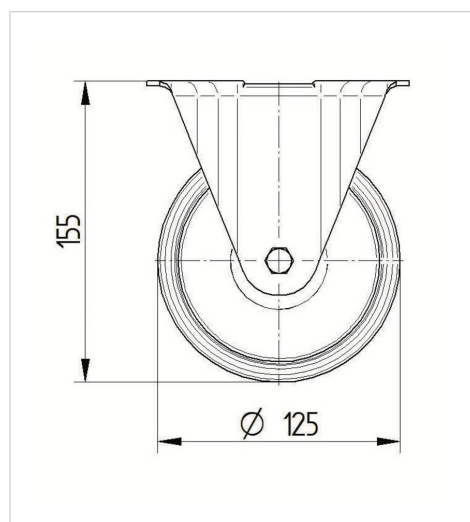


Picture may differ from original product

Technical Data

Wheel diameter	125 mm
Wheel width	37 mm
Castor width	85 mm
Size of Plate	103 x 85 mm
Plate hole centres	80/77 x 60 mm
Plate hole	9 mm
Overall height	155 mm
Temperature	- 20 / + 85 °C
Standard	EN 12532
Weight	0.927 kg
Hardness of tread	Shore A 80
Load capacity	100 kg
Load capacity (static)	200 kg

Dimensions



Advantages at a glance

Roll performance	● ● ● ○ ○
Movement noise	● ● ● ○ ○
Attrition	● ● ● ○ ○
Corrosion resistance	● ● ● ○ ○

ALPHA

3478DIR125P62

EAN 4031582306279



BETTER MOBILITY. BETTER LIFE.

Structure & Mounting

