

ALPHA

3478ITP100P63

EAN 4031582030709

Fixed castor, Fork made of pressed steel, bright zinc plated, blue passivated, wheel axle with nut, plate fitting.
Wheel centre made of Aluminium, Tread: Polyurethane, casted, precision ball bearing



BETTER MOBILITY. BETTER LIFE.

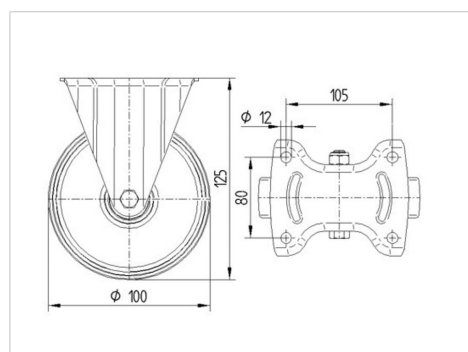


Picture may differ from original product

Technical Data

Wheel diameter	100 mm
Wheel width	40 mm
Castor width	115 mm
Size of Plate	136 x 117 mm
Plate hole centres	105 x 80/75 mm
Plate hole	11 mm
Overall height	125 mm
Temperature	- 10 / + 60 °C
Standard	EN 12532
Weight	0.981 kg
Hardness of tread	Shore D 42
Load capacity	300 kg
Load capacity (static)	600 kg

Dimensions



Advantages at a glance

Roll performance	● ● ● ○ ○
Movement noise	● ● ● ○ ○
Attrition	● ● ● ● ○
Corrosion resistance	● ● ● ○ ○

ALPHA

3478ITP100P63

EAN 4031582030709



BETTER MOBILITY. BETTER LIFE.

Structure & Mounting

