

ALPHA

3478ITP125P63

EAN 4031582306415

Fixed caster, Fork made of pressed steel, bright zinc plated, blue passivated, wheel axle with nut, plate fitting.
 Wheel center made of Aluminum, Tread: Polyurethane, casted, precision ball bearing



BETTER MOBILITY. BETTER LIFE.

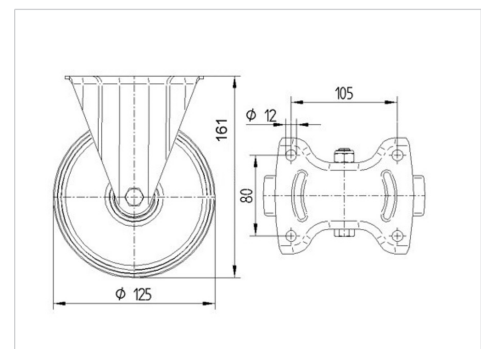


Picture may differ from original product

Technical Data

Wheel diameter	125 mm
Wheel width	50 mm
Caster width	115 mm
Plate size	137 x 115 mm
Plate hole centers	105 x 80/75 mm
Plate hole	11 mm
Overall height	161 mm
Temperature	- 10 / + 60 °C
Standard	EN 12532
Weight	1.732 kg
Hardness of tread	Shore D 42
Load capacity (dynamic)	300 kg
Load capacity (static)	600 kg

Dimensions



Advantages at a glance

Roll performance	● ● ● ○ ○
Movement noise	● ● ● ○ ○
Attrition	● ● ● ○ ○
Corrosion resistance	● ● ● ○ ○

ALPHA

3478ITP125P63

EAN 4031582306415



BETTER MOBILITY. BETTER LIFE.

Structure & Mounting

