

ALPHA

3478POJ108P62

EAN 4031582306613

Fixed castor, Fork made of pressed steel, bright zinc plated, blue passivated, wheel axle with nut, plate fitting.
Wheel centre made of Polypropylene, with threadguards, roller bearing



BETTER MOBILITY. BETTER LIFE.

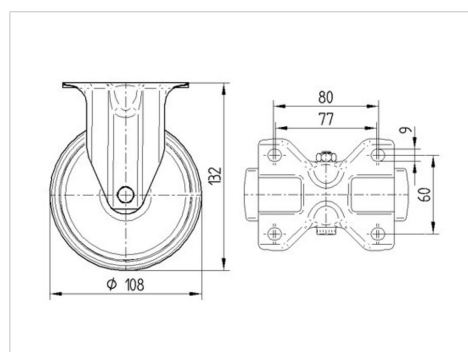


Picture may differ from original product

Technical Data

Wheel diameter	108 mm
Wheel width	36 mm
Castor width	85 mm
Size of Plate	103 x 85 mm
Plate hole centres	80/77 x 60 mm
Plate hole	9 mm
Overall height	132 mm
Temperature	- 20 / + 60 °C
Standard	EN 12532
Weight	0.405 kg
Hardness of tread	Shore D 65
Load capacity	150 kg
Load capacity (static)	300 kg

Dimensions



Advantages at a glance

Roll performance	● ● ● ○ ○
Movement noise	● ● ● ○ ○
Attrition	● ● ● ● ●
Corrosion resistance	● ● ● ○ ○

ALPHA

3478POJ108P62

EAN 4031582306613



BETTER MOBILITY. BETTER LIFE.

Structure & Mounting

