

ALPHA

3478POJ108P62

EAN 4031582306613

Fixed caster, Fork made of pressed steel, bright zinc plated, blue passivated, wheel axle with nut, plate fitting.
Wheel center made of Polypropylene, with threadguard, roller bearing



BETTER MOBILITY. BETTER LIFE.

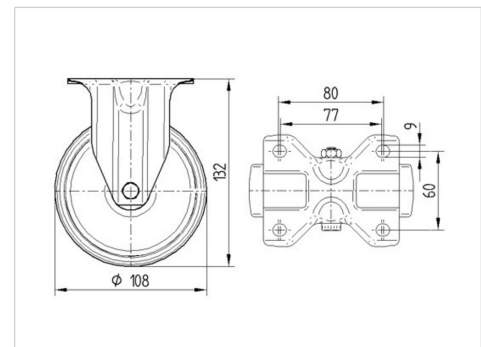


Picture may differ from original product

Technical Data

Wheel diameter	108 mm
Wheel width	36 mm
Caster width	85 mm
Plate size	103 x 85 mm
Plate hole centers	80/77 x 60 mm
Plate hole	9 mm
Overall height	132 mm
Temperature	- 20 / + 60 °C
Standard	EN 12532
Weight	0.405 kg
Hardness of tread	Shore D 65
Load capacity (dynamic)	150 kg
Load capacity (static)	300 kg

Dimensions



Advantages at a glance

Roll performance	● ● ● ○ ○
Movement noise	● ● ● ○ ○
Attrition	● ● ● ● ●
Corrosion resistance	● ● ● ○ ○

ALPHA

3478POJ108P62

EAN 4031582306613



BETTER MOBILITY. BETTER LIFE.

Structure & Mounting

