

ALPHA

3478POO125P62 RAL9011

EAN 4031582306644

Fixed castor, Fork made of pressed steel, bright zinc plated, blue passivated, wheel axle with nut, plate fitting.

Wheel centre made of Polypropylene, plain bearing



BETTER MOBILITY. BETTER LIFE.

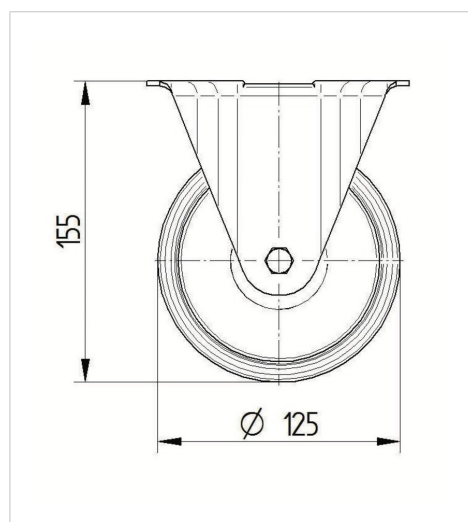


Picture may differ from original product

Technical Data

Wheel diameter	125 mm
Wheel width	40 mm
Size of Plate	103 x 85 mm
Plate hole centres	80/77 x 60 mm
Plate hole	9 mm
Overall height	155 mm
Temperature	- 20 / + 60 °C
Standard	EN 12532
Weight	0.549 kg
Hardness of tread	Shore D 65
Load capacity	200 kg
Load capacity (static)	400 kg

Dimensions



Advantages at a glance

Roll performance	● ● ● ○ ○
Movement noise	● ● ● ○ ○
Attrition	● ● ● ● ●
Corrosion resistance	● ● ● ○ ○

ALPHA

3478POO125P62 RAL9011

EAN 4031582306644



BETTER MOBILITY. BETTER LIFE.

Structure & Mounting

