

ALPHA

3478POO125P62 RAL9011

EAN 4031582306644

Fiksirani točkić, Viljuska napravljena od presovanog celika, pocinkovana, osovina tocka za caurom, Prikljucak ploca..
Telo tocka od polipropilena, obican lezaj

TENTE

BETTER MOBILITY. BETTER LIFE.

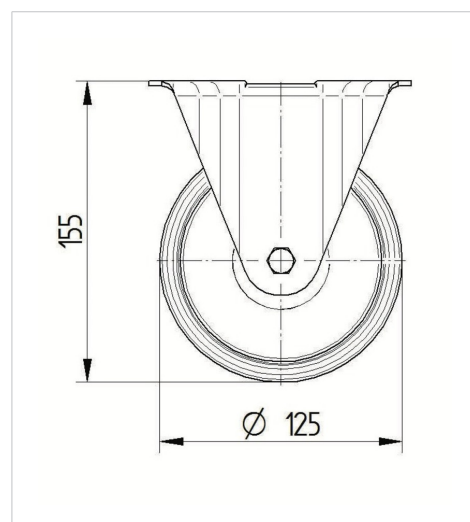


Picture may differ from original product

Tehnicki podaci

Precnik tocka.	125 mm
Sirina gazista.	40 mm
Dimenzije ploce.	103 x 85 mm
Raspored rupa na ploci.	80/77 x 60 mm
Rupa na ploci.	9 mm
Sveukupna visina.	155 mm
Temperatura	- 20 / + 60 °C
Standard	EN 12532
Tezina	0.549 kg
Tvrdoca omotaca	Shore D 65
Dinamicka nosivost.	200 kg
Staticka nosivost.	400 kg

Dimensions



Advantages at a glance

Otpor okretanju	● ● ● ○ ○
Buka pri okretanju	● ● ● ○ ○
trenje , habanje	● ● ● ● ●
zastita od korozije	● ● ● ○ ○

ALPHA

3478POO125P62 RAL9011

EAN 4031582306644



BETTER MOBILITY. BETTER LIFE.

Structure & Mounting

