

ALPHA

3478POR100P62 RAL9011

EAN 4031582030402

Fixed caster, Fork made of pressed steel, bright zinc plated, blue passivated, wheel axle with nut, plate fitting.
Wheel center made Polypropylene, roller bearing



BETTER MOBILITY. BETTER LIFE.

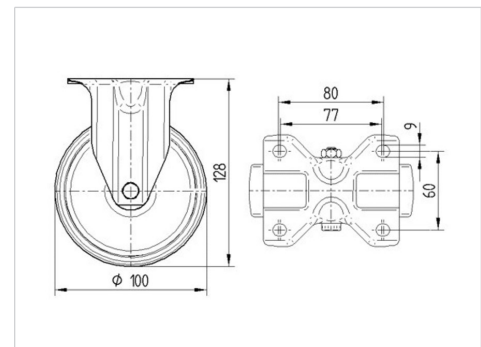


Picture may differ from original product

Technical Data

| | |
|-------------------------|----------------|
| Wheel diameter | 100 mm |
| Wheel width | 36 mm |
| Caster width | 85 mm |
| Plate size | 103 x 85 mm |
| Plate hole centers | 80/77 x 60 mm |
| Plate hole | 9 mm |
| Overall height | 128 mm |
| Temperature | - 20 / + 60 °C |
| Standard | EN 12532 |
| Weight | 0.366 kg |
| Hardness of tread | Shore D 65 |
| Load capacity (dynamic) | 160 kg |
| Load capacity (static) | 320 kg |

Dimensions



Advantages at a glance

| | |
|----------------------|-----------|
| Roll performance | ● ● ● ○ ○ |
| Movement noise | ● ● ● ○ ○ |
| Attrition | ● ● ● ● ● |
| Corrosion resistance | ● ● ● ○ ○ |

ALPHA

3478POR100P62 RAL9011

EAN 4031582030402



BETTER MOBILITY. BETTER LIFE.

Structure & Mounting

