

ALPHA

3478POR100P62 RAL9011

EAN 4031582030402

Fiksirani točkić, Viljuska napravljena od presovanog celika, pocinkovana, osovina tocka za caurom, Prikljucak ploca..
Telo tocka od polipropilena, valjkasti lezaj

TENTE

BETTER MOBILITY. BETTER LIFE.

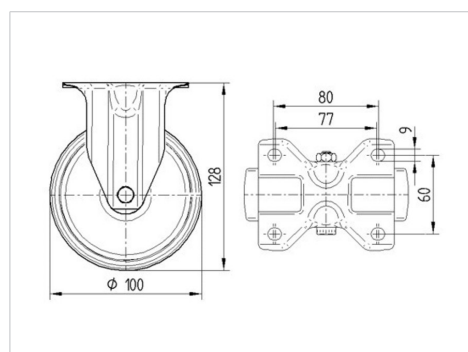


Picture may differ from original product

Tehnicki podaci

Precnik tocka.	100 mm
Sirina gazista.	36 mm
Sirina tocka	85 mm
Dimenzije ploce.	103 x 85 mm
Raspored rupa na ploci.	80/77 x 60 mm
Rupa na ploci.	9 mm
Sveukupna visina.	128 mm
Temperatura	- 20 / + 60 °C
Standard	EN 12532
Tezina	0.366 kg
Tvrdoca omotaca	Shore D 65
Dinamicka nosivost.	160 kg
Staticka nosivost.	320 kg

Dimensions



Advantages at a glance

Otpor okretanju	● ● ● ○ ○
Buka pri okretanju	● ● ● ○ ○
trenje , habanje	● ● ● ● ●
zastita od korozije	● ● ● ○ ○

ALPHA

3478POR100P62 RAL9011

EAN 4031582030402



BETTER MOBILITY. BETTER LIFE.

Structure & Mounting

