

# ALPHA

3478PVR160P63

EAN 4031582306811

Fixed castor, Fork made of pressed steel, bright zinc plated, blue passivated, wheel axle with nut, plate fitting.  
Wheel centre made of Polypropylene, Tread: solid rubber, black, roller bearing



BETTER MOBILITY. BETTER LIFE.

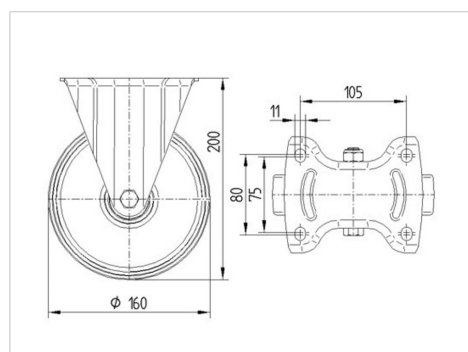


Picture may differ from original product

## Technical Data

Wheel diameter	160 mm
Wheel width	40 mm
Castor width	115 mm
Size of Plate	137 x 115 mm
Plate hole centres	105 x 80/75 mm
Plate hole	11 mm
Overall height	200 mm
Temperature	- 20 / + 60 °C
Standard	EN 12532
Weight	1.614 kg
Hardness of tread	Shore A 80
Load capacity	135 kg
Load capacity (static)	270 kg

## Dimensions



## Advantages at a glance

Roll performance	● ● ● ○ ○
Movement noise	● ● ● ○ ○
Attrition	● ● ○ ○ ○
Corrosion resistance	● ● ● ○ ○

# ALPHA

3478PVR160P63

EAN 4031582306811



BETTER MOBILITY. BETTER LIFE.

## Structure & Mounting

