

# ALPHA

3478PVR200P63

EAN 4031582030686

Fixed castor, Fork made of pressed steel, bright zinc plated, blue passivated, wheel axle with nut, plate fitting.  
Wheel centre made of Polypropylene, Tread: solid rubber, black, roller bearing



BETTER MOBILITY. BETTER LIFE.

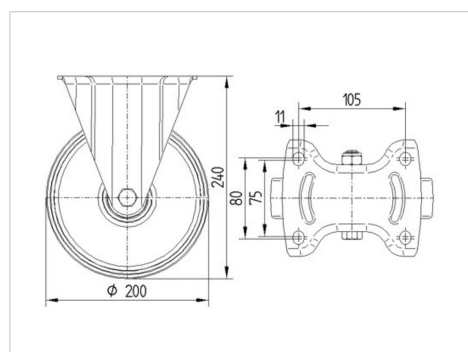


Picture may differ from original product

## Technical Data

|                        |                |
|------------------------|----------------|
| Wheel diameter         | 200 mm         |
| Wheel width            | 50 mm          |
| Castor width           | 115 mm         |
| Size of Plate          | 140 x 115 mm   |
| Plate hole centres     | 105 x 80/75 mm |
| Plate hole             | 11 mm          |
| Overall height         | 240 mm         |
| Temperature            | - 20 / + 60 °C |
| Standard               | EN 12532       |
| Weight                 | 2.4 kg         |
| Hardness of tread      | Shore A 80     |
| Load capacity          | 205 kg         |
| Load capacity (static) | 410 kg         |

## Dimensions



## Advantages at a glance

|                      |           |
|----------------------|-----------|
| Roll performance     | ● ● ● ○ ○ |
| Movement noise       | ● ● ● ○ ○ |
| Attrition            | ● ● ○ ○ ○ |
| Corrosion resistance | ● ● ● ○ ○ |

# ALPHA

3478PVR200P63

EAN 4031582030686



BETTER MOBILITY. BETTER LIFE.

## Structure & Mounting

