

# ALPHA

## 3478UAR160P63 red

EAN 4031582306866

Fiksirani točkić, Viljuska napravljena od presovanog celika, pocinkovana, osovina tocka za caurom, Prikljucak ploca..

Telo tocka od poliamida, Omotac> Poliuretan, valjkasti lezaj



BETTER MOBILITY. BETTER LIFE.

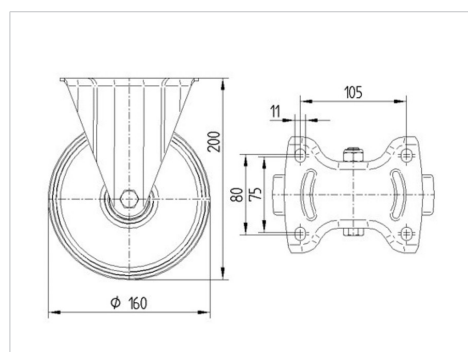


Picture may differ from original product

### Tehnicki podaci

Precnik tocka.	160 mm
Sirina gazista.	40 mm
Sirina tocka	115 mm
Dimenzije ploce.	137 x 115 mm
Raspored rupa na ploci.	105 x 80/75 mm
Rupa na ploci.	11 mm
Sveukupna visina.	200 mm
Temperatura	- 25 / + 80 °C
Standard	EN 12532
Tezina	1.481 kg
Tvrdoca omotaca	Shore D 42
Dinamicka nosivost.	350 kg
Staticka nosivost.	700 kg

### Dimensions



### Advantages at a glance

Otpor okretanju	● ● ● ○ ○
Buka pri okretanju	● ● ● ○ ○
trenje , habanje	● ● ● ● ○
zastita od korozije	● ● ● ○ ○

# ALPHA

3478UAR160P63 red

EAN 4031582306866



BETTER MOBILITY. BETTER LIFE.

## Structure & Mounting

