

ALPHA

3478UFP200P63

EAN 4031582394924

Fixed caster, Fork made of pressed steel, bright zinc plated, blue passivated, wheel axle with nut, plate fitting.
Wheel center made of Polyamide, Tread: elastic-tire, non-marking, precision ball bearing



BETTER MOBILITY. BETTER LIFE.

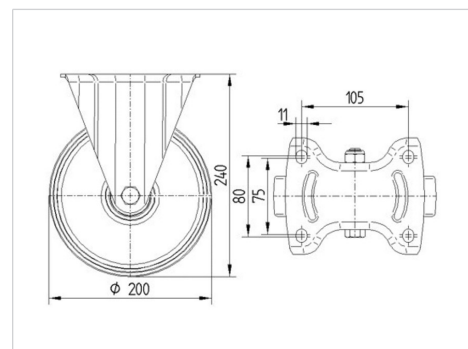


Picture may differ from original product

Technical Data

Wheel diameter	200 mm
Wheel width	46 mm
Caster width	115 mm
Plate size	140 x 115 mm
Plate hole centers	105 x 80/75 mm
Plate hole	11 mm
Overall height	240 mm
Temperature	- 20 / + 80 °C
Standard	EN 12532
Weight	2.319 kg
Hardness of tread	Shore A 63
Load capacity (dynamic)	350 kg
Load capacity (static)	700 kg

Dimensions



Advantages at a glance

Roll performance	● ● ● ○ ○
Movement noise	● ● ● ● ●
Attrition	● ● ● ○ ○
Corrosion resistance	● ● ● ○ ○

ALPHA

3478UFP200P63

EAN 4031582394924



BETTER MOBILITY. BETTER LIFE.

Structure & Mounting

