

# ALPHA

3478U00160P63

EAN 4031582030136

Fixed caster, Fork made of pressed steel, bright zinc plated, blue passivated, wheel axle with nut, plate fitting.  
Wheel center made of Polyamide, plain bearing



BETTER MOBILITY. BETTER LIFE.

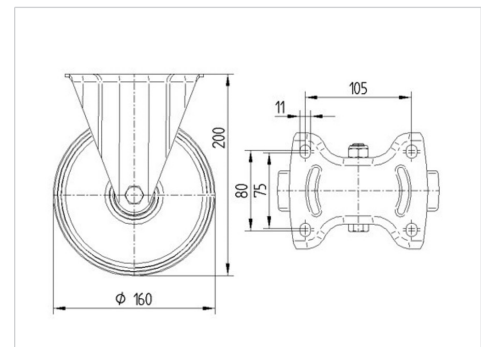


Picture may differ from original product

## Technical Data

Wheel diameter	160 mm
Wheel width	40 mm
Caster width	115 mm
Plate size	137 x 115 mm
Plate hole centers	105 x 80/75 mm
Plate hole	11 mm
Overall height	200 mm
Temperature	- 40 / + 80 °C
Standard	EN 12532
Weight	1.35 kg
Hardness of tread	Shore D 75
Load capacity (dynamic)	350 kg
Load capacity (static)	700 kg

## Dimensions



## Advantages at a glance

Roll performance	● ● ● ○ ○
Movement noise	● ● ● ○ ○
Attrition	● ● ● ● ●
Corrosion resistance	● ● ● ○ ○

# ALPHA

3478U00160P63

EAN 4031582030136



BETTER MOBILITY. BETTER LIFE.

## Structure & Mounting

