

# ALPHA

3478UOR100P62

EAN 4031582030440

Fixed caster, Fork made of pressed steel, bright zinc plated, blue passivated, wheel axle with nut, plate fitting.  
Wheel center made of Polyamide, roller bearing



BETTER MOBILITY. BETTER LIFE.

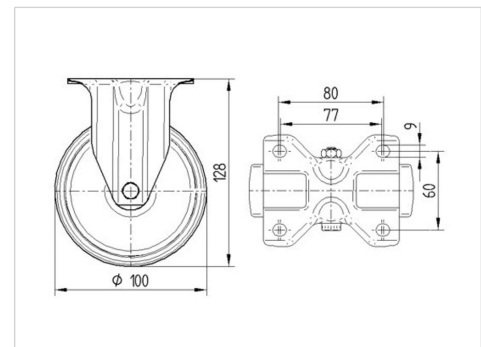


Picture may differ from original product

## Technical Data

Wheel diameter	100 mm
Wheel width	36 mm
Caster width	85 mm
Plate size	103 x 85 mm
Plate hole centers	80/77 x 60 mm
Plate hole	9 mm
Overall height	128 mm
Temperature	- 25 / + 80 °C
Standard	EN 12532
Weight	0.399 kg
Hardness of tread	Shore D 75
Load capacity (dynamic)	200 kg
Load capacity (static)	400 kg

## Dimensions



## Advantages at a glance

Roll performance	● ● ● ○ ○
Movement noise	● ● ● ○ ○
Attrition	● ● ● ● ●
Corrosion resistance	● ● ● ○ ○

# ALPHA

3478UOR100P62

EAN 4031582030440



BETTER MOBILITY. BETTER LIFE.

## Structure & Mounting

