

# ALPHA

3478UOR125P62

EAN 4031582030457

Fixed castor, Fork made of pressed steel, bright zinc plated, blue passivated, wheel axle with nut, plate fitting.

Wheel centre made of Polyamide, roller bearing



BETTER MOBILITY. BETTER LIFE.

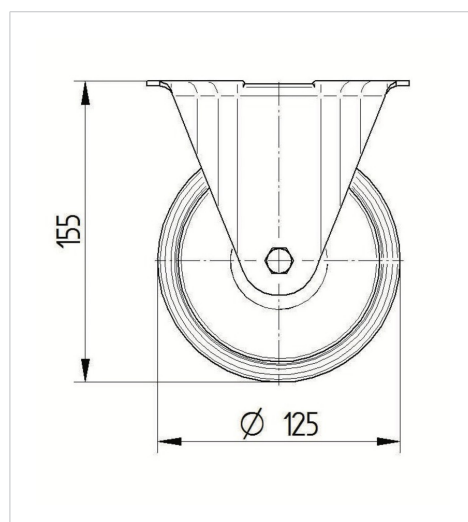


Picture may differ from original product

## Technical Data

Wheel diameter	125 mm
Wheel width	40 mm
Castor width	85 mm
Size of Plate	103 x 85 mm
Plate hole centres	80/77 x 60 mm
Plate hole	9 mm
Overall height	155 mm
Temperature	- 25 / + 80 °C
Standard	EN 12532
Weight	0.628 kg
Hardness of tread	Shore D 75
Load capacity	250 kg
Load capacity (static)	500 kg

## Dimensions



## Advantages at a glance

Roll performance	● ● ● ○ ○
Movement noise	● ● ● ○ ○
Attrition	● ● ● ● ●
Corrosion resistance	● ● ● ○ ○

# ALPHA

3478UOR125P62

EAN 4031582030457



BETTER MOBILITY. BETTER LIFE.

## Structure & Mounting

