

ALPHA

3478UVH080P62

EAN 4031582307122

Fixed castor, Fork made of pressed steel, bright zinc plated, blue passivated, wheel axle with nut, plate fitting.
Wheel centre made of Polyamide, Tread: solid rubber, black, plain bearing, with threadguards,



BETTER MOBILITY. BETTER LIFE.

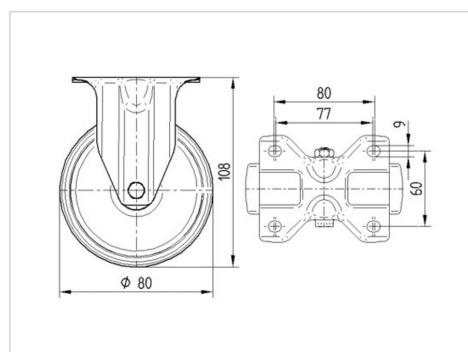


Picture may differ from original product

Technical Data

Wheel diameter	80 mm
Wheel width	35 mm
Castor width	85 mm
Size of Plate	103 x 85 mm
Plate hole centres	80/77 x 60 mm
Plate hole	9 mm
Overall height	108 mm
Temperature	- 20 / + 80 °C
Standard	EN 12532
Weight	0.494 kg
Hardness of tread	Shore D 39
Load capacity	100 kg
Load capacity (static)	200 kg

Dimensions



Advantages at a glance

Roll performance	● ● ● ○ ○
Movement noise	● ● ● ○ ○
Attrition	● ● ○ ○ ○
Corrosion resistance	● ● ● ○ ○

ALPHA

3478UVH080P62

EAN 4031582307122



BETTER MOBILITY. BETTER LIFE.

Structure & Mounting

