

ALPHA

3478UVH080P62

EAN 4031582307122

Fixed caster, Fork made of pressed steel, bright zinc plated, blue passivated, wheel axle with nut, plate fitting.

Wheel center made of Polyamide, Tread: solid rubber, black, plain bearing, with threadguards,



BETTER MOBILITY. BETTER LIFE.

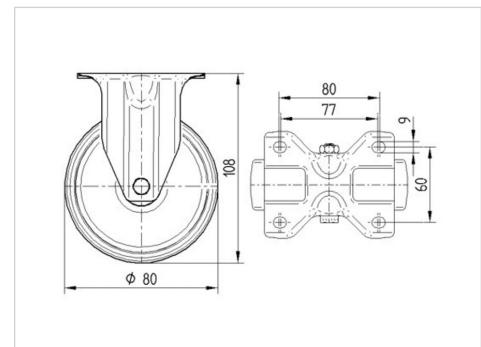


Picture may differ from original product

Technical Data

Wheel diameter	80 mm
Wheel width	35 mm
Caster width	85 mm
Plate size	103 x 85 mm
Plate hole centers	80/77 x 60 mm
Plate hole	9 mm
Overall height	108 mm
Temperature	- 20 / + 80 °C
Standard	EN 12532
Weight	0.494 kg
Hardness of tread	Shore D 39
Load capacity (dynamic)	100 kg
Load capacity (static)	200 kg

Dimensions



Advantages at a glance

Roll performance	● ● ● ○ ○
Movement noise	● ● ● ○ ○
Attrition	● ● ○ ○ ○
Corrosion resistance	● ● ● ○ ○

ALPHA

3478UVH080P62

EAN 4031582307122



BETTER MOBILITY. BETTER LIFE.

Structure & Mounting

