

# ZETA

4681IEP250P63

EAN 4031582307962

Swivel caster with directional lock, housing made of very heavy pressed steel, reinforced, bright zinc plated, blue passivated, sealed swivel double ball bearing, reinforced and heat-treated ball covers, riveted king pin, wheel axle with nut and dust ring with integrated grease nipple., plate fitting. Wheel center made of Aluminum, Tread: black elastic-tire, vulcanized, precision ball bearing



BETTER MOBILITY. BETTER LIFE.

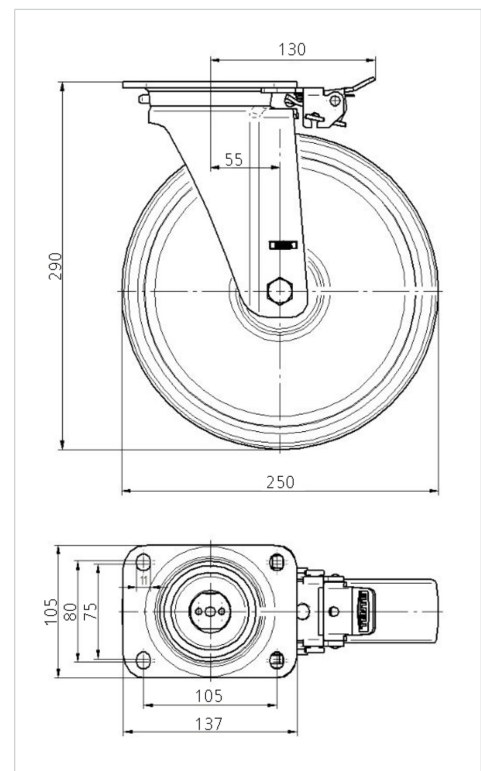


Picture may differ from original product

## Technical Data

Wheel diameter	250 mm
Wheel width	50 mm
Caster width	96 mm
Plate size	137 x 105 mm
Plate hole centers	105 x 80/75 mm
Plate hole	11 mm
Dome-Ø	96 mm
Offset	55 mm
Swivel Interference	230 mm
Overall height	290 mm
Temperature	- 20 / + 85 °C
Standard	EN 12532
Weight	4.791 kg
Hardness of tread	Shore A 67
Load capacity (dynamic)	500 kg
Load capacity (static)	1000 kg

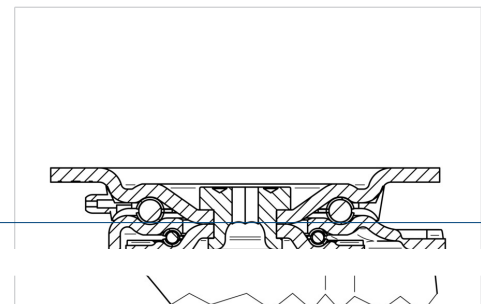
## Dimensions



## Advantages at a glance

Roll performance	● ● ● ○ ○
Movement noise	● ● ● ○ ○
Attrition	● ● ● ○ ○
Corrosion resistance	● ● ● ○ ○

## Structure & Mounting



# ZETA

4681IEP250P63

EAN 4031582307962



BETTER MOBILITY. BETTER LIFE.

## Structure & Mounting

