

# ZETA

4681TOO125P63

EAN 4031582308013

Swivel caster with directional lock, housing made of very heavy pressed steel, reinforced, bright zinc plated, blue passivated, sealed swivel double ball bearing, reinforced and heat-treated ball covers, riveted king pin, wheel axle with nut and dust ring with integrated grease nipple., plate fitting. Wheel center made of Polyamide, heavy duty, plain bearing



BETTER MOBILITY. BETTER LIFE.

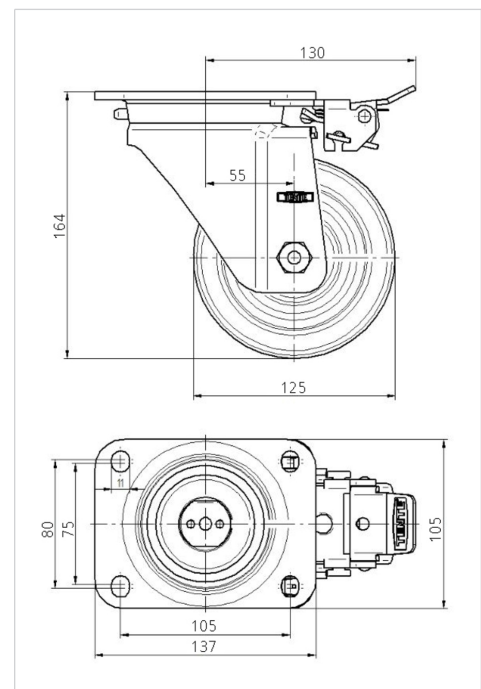


Picture may differ from original product

## Technical Data

|                         |                |
|-------------------------|----------------|
| Wheel diameter          | 125 mm         |
| Wheel width             | 50 mm          |
| Plate size              | 137 x 105 mm   |
| Plate hole centers      | 105 x 80/75 mm |
| Plate hole              | 11 mm          |
| Offset                  | 55 mm          |
| Swivel Interference     | 230 mm         |
| Overall height          | 164 mm         |
| Temperature             | - 40 / + 80 °C |
| Standard                | EN 12532       |
| Weight                  | 2.59 kg        |
| Hardness of tread       | Shore D 75     |
| Load capacity (dynamic) | 700 kg         |
| Load capacity (static)  | 1400 kg        |

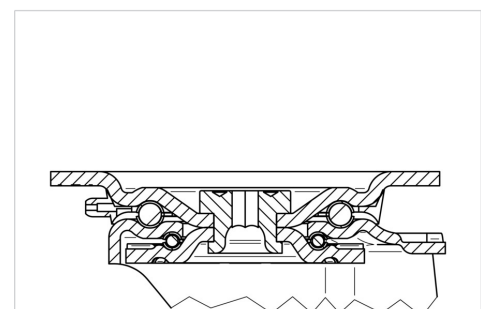
## Dimensions



## Advantages at a glance

|                      |           |
|----------------------|-----------|
| Roll performance     | ● ● ● ○ ○ |
| Movement noise       | ● ○ ○ ○ ○ |
| Attrition            | ● ● ● ● ● |
| Corrosion resistance | ● ● ● ○ ○ |

## Structure & Mounting



# ZETA

4681TOO125P63

EAN 4031582308013



BETTER MOBILITY. BETTER LIFE.

## Structure & Mounting

