

# ZETA

## 4687TOP125P63

EAN 4031582308174

Swivel castor with total lock, tail end of castor, housing made of very heavy pressed steel, reinforced, bright zinc plated, blue passivated, sealed swivel double ball bearing, reinforced and heat-treated ball covers, riveted king pin, dust ring with integrated grease nipple, wheel axle with nut, plate fitting. Wheel centre made of Polyamide, heavy duty, precision ball bearing



BETTER MOBILITY. BETTER LIFE.



Picture may differ from original product

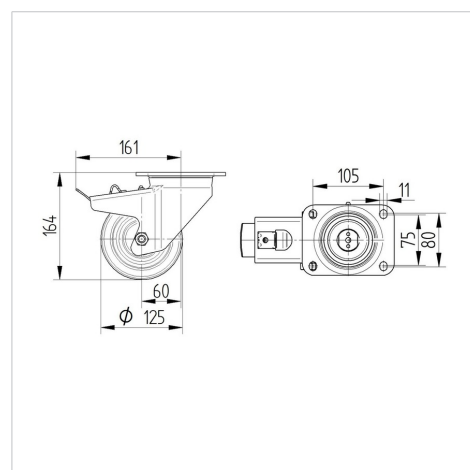
### Technical Data

|                        |                |
|------------------------|----------------|
| Wheel diameter         | 125 mm         |
| Wheel width            | 50 mm          |
| Castor width           | 96 mm          |
| Size of Plate          | 137 x 105 mm   |
| Plate hole centres     | 105 x 80/75 mm |
| Plate hole             | 11 mm          |
| Dome-Ø                 | 96 mm          |
| Offset                 | 60 mm          |
| Swivel Interference    | 322 mm         |
| Overall height         | 164 mm         |
| Temperature            | - 30 / + 80 °C |
| Standard               | EN 12532       |
| Weight                 | 3.026 kg       |
| Swivel Radius          | 161 mm         |
| Hardness of tread      | Shore D 75     |
| Load capacity          | 700 kg         |
| Load capacity (static) | 1400 kg        |

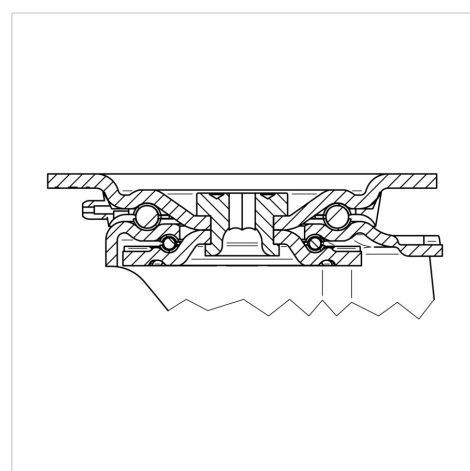
### Advantages at a glance

|                      |           |
|----------------------|-----------|
| Roll performance     | ● ● ● ● ● |
| Movement noise       | ● ○ ○ ○ ○ |
| Attrition            | ● ● ● ● ● |
| Corrosion resistance | ● ● ● ○ ○ |

### Dimensions



### Structure & Mounting



# ZETA

4687TOP125P63

EAN 4031582308174



BETTER MOBILITY. BETTER LIFE.

## Structure & Mounting

