

ZETA

4688IEP160P63

EAN 4031582308266

Fixed caster, Fork made of heavy pressed steel, reinforced, bright zinc plated, blue passivated, wheel axle with nut, plate fitting.
Wheel center made of Aluminum, Tread: black elastic-tire, vulcanized, precision ball bearing



BETTER MOBILITY. BETTER LIFE.

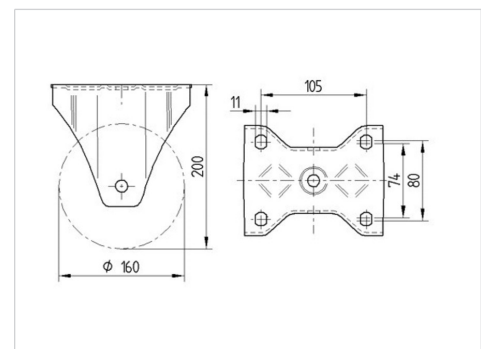


Picture may differ from original product

Technical Data

Wheel diameter	160 mm
Wheel width	50 mm
Caster width	117 mm
Plate size	137 x 117,0 mm
Plate hole centers	105 x 80/75 mm
Plate hole	11 mm
Overall height	200 mm
Temperature	- 20 / + 85 °C
Standard	EN 12532
Weight	2.573 kg
Hardness of tread	Shore A 67
Load capacity (dynamic)	350 kg
Load capacity (static)	700 kg

Dimensions



Advantages at a glance

Roll performance	● ● ● ○ ○
Movement noise	● ● ● ○ ○
Attrition	● ● ● ○ ○
Corrosion resistance	● ● ● ○ ○

ZETA

4688IEP160P63

EAN 4031582308266



BETTER MOBILITY. BETTER LIFE.

Structure & Mounting

